



# Faucets

## 5F-8DWS10-F15

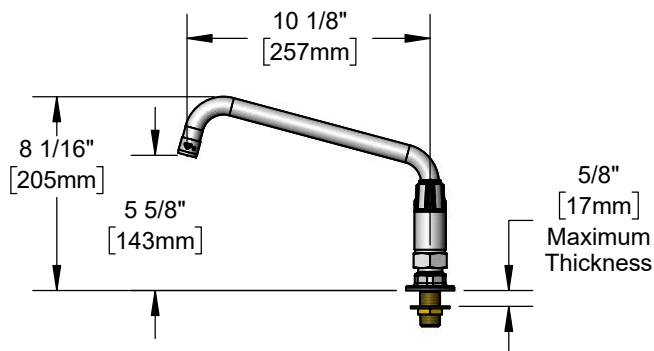
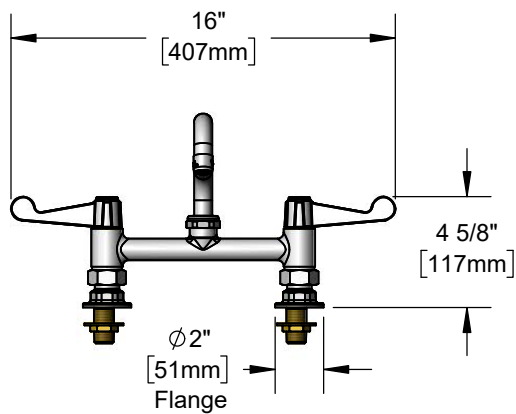
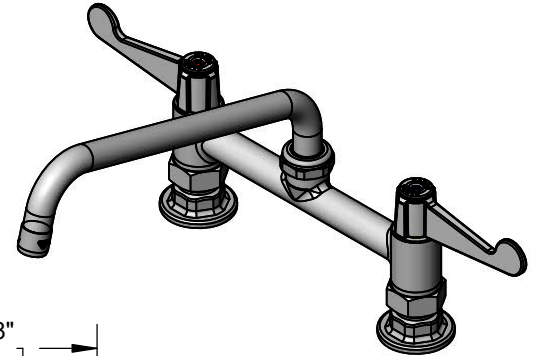
TAG:

### 8" Deck Mount Faucet

#### Architect/Engineering Specifications:

8" deck mount mixing faucet with polished chrome plated brass body, 10 1/8" swing nozzle with 1.5 GPM aerator, ceramic cartridges, lever handles, 1/2" NPT female inlets and 1/2" NPT male supply nipple kit. Certified to ASME A112.18.1/CSA B125.1, NSF 61-Section 9 and NSF 372. Meets ADA ANSI/ICC A117.1 requirements.

Job Name \_\_\_\_\_  
 Model Specified \_\_\_\_\_ Quantity \_\_\_\_\_  
 Variations Specified \_\_\_\_\_  
 Date \_\_\_\_\_



#### Features & Benefits:

- 8" deck mount mixing faucet with polished chrome plated brass body
- 10 1/8" equip swing nozzle w/ 1.5 GPM aerator
- equip quarter-turn ceramic cartridges
- equip lever handles w/ color coded screws
- 1/2" NPT female inlets with Ø2" wall flanges
- Adjustable centers from 7 3/4" to 8 1/4"
- 1/2" NPT male supply nipple kit
- Material: Polished chrome plated brass body & tubular spout and chrome plated metal handles

#### Product Compliance:

- ASME A112.18.1 / CSA B125.1
- NSF 61 - Section 9
- NSF 372 (Low Lead Content)
- ANSI A117.1 (ADA)

**Warranty:** One Year (Limited)

#### Performance Data:

- Pressure: 20 - 125 psi [1.38 - 8.62 bar]
- Temperature: 40 °F - 140 °F [4.44 °C - 60 °C]
- Flow Rate: 1.5 GPM [5.68 L/min] @ 60 psi [4.14 bar]



**ADA Compliant**



equip Foodservice Accessories



• 2 Saddleback Cove • Travelers Rest, SC 29690  
 Ph 800-891-4808 • Fax 800-868-0084  
 www.tsbrass.com

Date: 12/16/21