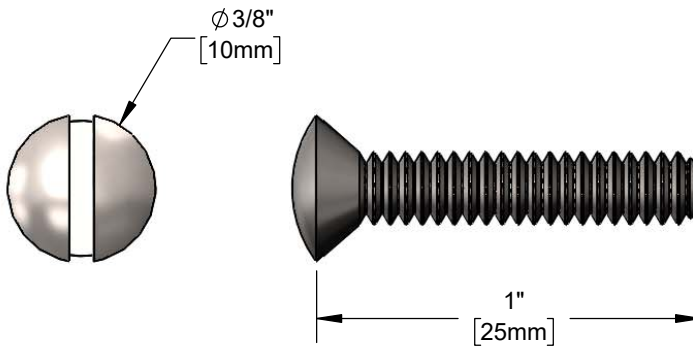
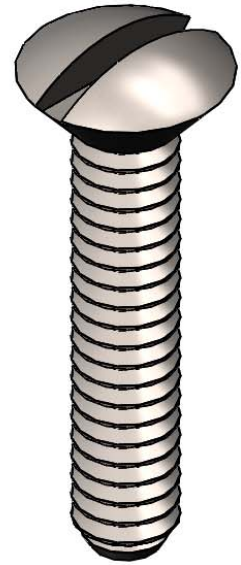




Architect/Engineering Specifications:

Stainless steel screw for loose key handle with #10-32 UNF male thread.

Job Name \_\_\_\_\_  
 Model Specified \_\_\_\_\_ Quantity \_\_\_\_\_  
 Variations Specified \_\_\_\_\_  
 Date \_\_\_\_\_



Features & Benefits:

- Screw for lever handle
- #10-32 UNF male thread
- Material: Stainless Steel

Product Compliance:

- N/A

Warranty: One Year (Limited)

Performance Data:

- N/A

