



**T&S BRASS AND BRONZE WORKS, INC.**  
 2 Saddleback Cove / P.O. Box 1088  
 Travelers Rest, SC 29690

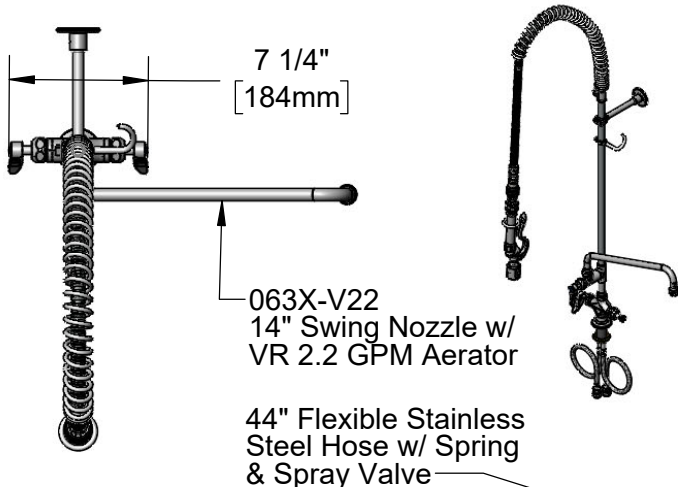
Model No.  
**B-0113-14CRQJST**

Item No.

Travelers Rest, SC: 800-476-4103 • Simi Valley, CA: 800-423-0150 • Fax: 864-834-3518 • www.tsbrass.com

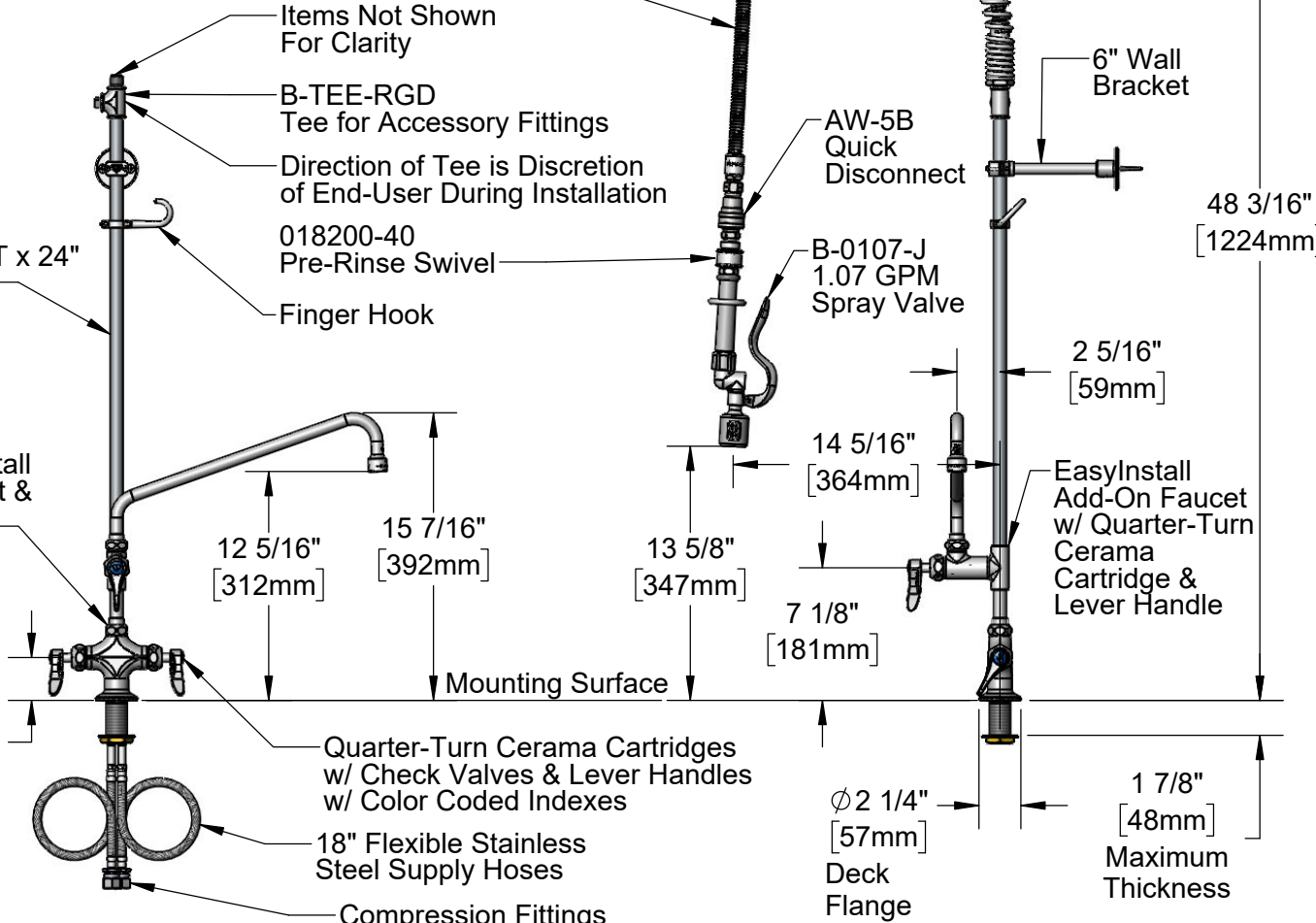
This Space for Architect/Engineer Approval

Job Name \_\_\_\_\_ Date \_\_\_\_\_  
 Model Specified \_\_\_\_\_ Quantity \_\_\_\_\_  
 Customer/Wholesaler \_\_\_\_\_  
 Contractor \_\_\_\_\_  
 Architect/Engineer \_\_\_\_\_



063X-V22  
 14" Swing Nozzle w/  
 VR 2.2 GPM Aerator

44" Flexible Stainless  
 Steel Hose w/ Spring  
 & Spray Valve



Items Not Shown  
 For Clarity  
 B-TEE-RGD  
 Tee for Accessory Fittings  
 Direction of Tee is Discretion  
 of End-User During Installation  
 018200-40  
 Pre-Rinse Swivel  
 Finger Hook

AW-5B  
 Quick  
 Disconnect  
 B-0107-J  
 1.07 GPM  
 Spray Valve

6" Wall  
 Bracket

48 3/16"  
 [1224mm]

3/8" NPT x 24"  
 Riser

EasyInstall  
 Lock Nut &  
 Bushing

12 5/16"  
 [312mm]

15 7/16"  
 [392mm]

13 5/8"  
 [347mm]

14 5/16"  
 [364mm]

7 1/8"  
 [181mm]

EasyInstall  
 Add-On Faucet  
 w/ Quarter-Turn  
 Cerama  
 Cartridge &  
 Lever Handle

2 5/16"  
 [59mm]

2 5/16"  
 [58mm]

Quarter-Turn Cerama Cartridges  
 w/ Check Valves & Lever Handles  
 w/ Color Coded Indexes

18" Flexible Stainless  
 Steel Supply Hoses

Compression Fittings  
 for 5/8" O.D. Copper Tubing  
 (Remove Compression Nut  
 for 1/2" NPSM Male)

Ø 2 1/4"  
 [57mm]

Deck  
 Flange

1 7/8"  
 [48mm]  
 Maximum  
 Thickness

Rough-In Requirement:  
 Ø 1 1/2" [38mm] Mounting Hole

Product Specifications:  
 Pre-Rinse Unit: EasyInstall Single Hole Deck Mount Mixing Faucet, Quarter-Turn Cerama Cartridges w/ Check Valves, Lever Handles, Add-On Faucet, 14" Swing Nozzle w/ VR 2.2 GPM Aerator, 44" Flexible Stainless Steel Hose, Quick Disconnect, 1.07 GPM Spray Valve w/ Swivel, Accessory Fitting Tee, 6" Wall Bracket & Flexible Supply Hoses

Product Compliance:  
 ASME A112.18.1 / CSA B125.1  
 NSF 61 - Section 9  
 NSF 372 (Low Lead Content)  
 2019 DOE PRSV - Class II



# T&S BRASS AND BRONZE WORKS, INC.

2 Saddleback Cove / P.O. Box 1088  
Travelers Rest, SC 29690

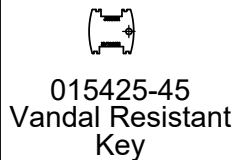
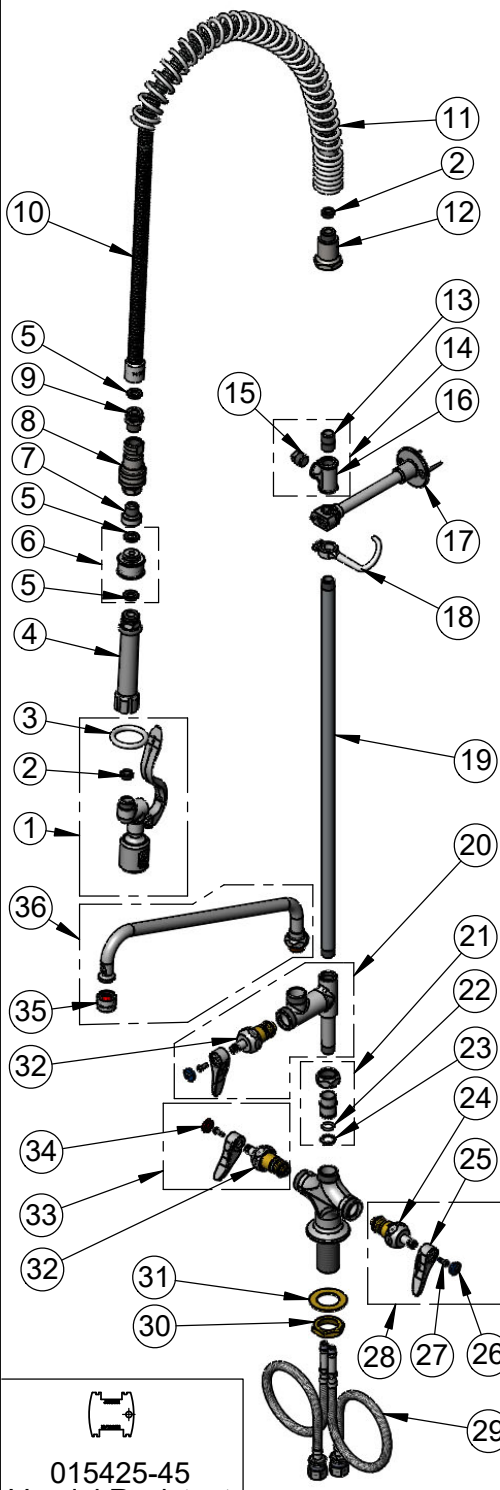
Model No.

**B-0113-14CRQJST**

Item No.

Travelers Rest, SC: 800-476-4103 • Simi Valley, CA: 800-423-0150 • Fax: 864-834-3518 • www.tsbrass.com

ITEM NO.	SALES NO.	DESCRIPTION
1	B-0107-J	1.07 GPM Spray Valve
2	010476-45	#27 Washer
3	000907-45	Spray Valve Hold Down Ring
4	002987-40	Grip Handle
5	001014-45	Washer, B-0100 Hose Barrel
6	018200-40	Pre-Rinse Swivel
7	017959-25	Adapter, 3/8 NPT Male x 7/8-20 Female
8	AW-5B	Quick Disconnect
9	017960-25	Adapter, 3/8 NPT x 7/8-20 Male
10	B-0044-H2A	44" Flexible Stainless Steel Hose, Less Handle
11	000888-45	EasyInstall Overhead Spring
12	000821-40	Spring Body
13	002535-25	3/8" Close Nipple
14	B-TEE-RGD	Rigid Tee
15	002369-25	3/8" NPT Plug
16	001614-40	3/8" NPT Tee
17	B-0109-01	6" Wall Bracket
18	004R	Finger Hook
19	000372-40	3/8" NPT x 24" Riser
20	B-0155-CR-LN	Add-On Faucet w/ Quarter-Turn Cerama Cartridge, RTC & Lever Handle, Less Nozzle
21	EZ-K	EasyInstall Kit: Bushing, O-Ring, Lock Washer & Loctite 222
22	001065-45	O-ring
23	014200-45	Star Washer, Anti-Rotation
24	012395-25NS	Quarter-Turn Cerama Cartridge w/ Check Valve, LTC
25	001638-45NS	Lever Handle (New Style)
26	018506-19NS	Blue Button Index, Press-in
27	000925-45	Lab Handle Screw
28	012447-25NS	Quarter-Turn Cerama Cartridge w/ Check Valve, Handle, Blue Index & Screw, LTC
29	012534-45	18" Flexible Supply Hose (2)
30	000965-45	Lock Nut
31	002290-45	Lock Washer
32	012394-25NS	Quarter-Turn Cerama Cartridge w/ Check Valve, RTC
33	012446-25NS	Quarter-Turn Cerama Cartridge w/ Check Valve, Handle, Red Index & Screw, RTC
34	001193-19NS	Red Button Index, Press-in
35	B-0199-06	VR 2.2 GPM Aerator, 55/64-27 UN Female w/ Key
36	063X-V22	14" Swing Nozzle w/ VR 2.2 GPM Aerator



**Product Specifications:**  
Pre-Rinse Unit: EasyInstall Single Hole Deck Mount Mixing Faucet, Quarter-Turn Cerama Cartridges w/ Check Valves, Lever Handles, Add-On Faucet, 14" Swing Nozzle w/ VR 2.2 GPM Aerator, 44" Flexible Stainless Steel Hose, Quick Disconnect, 1.07 GPM Spray Valve w/ Swivel, Accessory Fitting Tee, 6" Wall Bracket & Flexible Supply Hoses

**Product Compliance:**  
ASME A112.18.1 / CSA B125.1  
NSF 61 - Section 9  
NSF 372 (Low Lead Content)  
2019 DOE PRSV - Class II