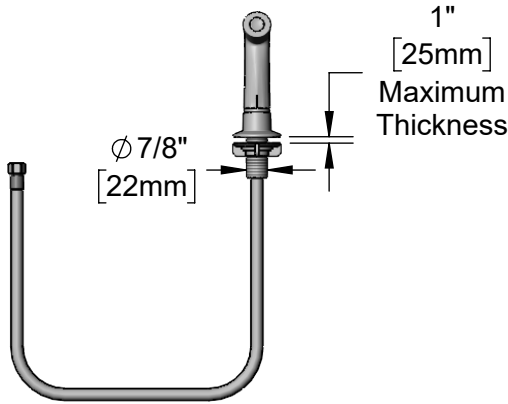
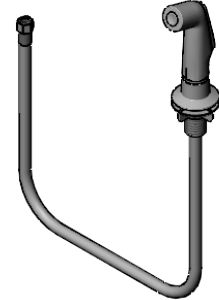




Architect/Engineering Specifications:

Self closing sidespray with 84" reinforced vinyl hose, and hose guide. Certified to ASME A112.18.1/CSA B125.1, NSF 61-Section 9, and NSF 372.

Job Name _____
 Model Specified _____ Quantity _____
 Variations Specified _____
 Date _____



Features & Benefits:

- Self-closing sidespray
- 84" reinforced vinyl hose
- Hose guide
- Material: Chrome plated thermoplastic spray valve

Product Compliance:

- ASME A112.18.1 / CSA B125.1
- NSF 61 - Section 9
- NSF 372 (Low Lead Content)



Warranty: One Year (Limited)

Performance Data:

- Pressure: 20 - 125 psi [1.38 - 8.62 bar]
- Temperature: 40°F - 140°F [4.44°C - 60°C]
- Flow Rate: 2.2 GPM [8.3 L/min] @ 60 psi [4.14 bar]

