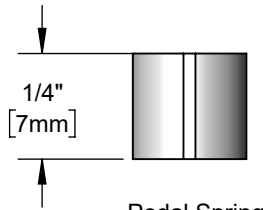
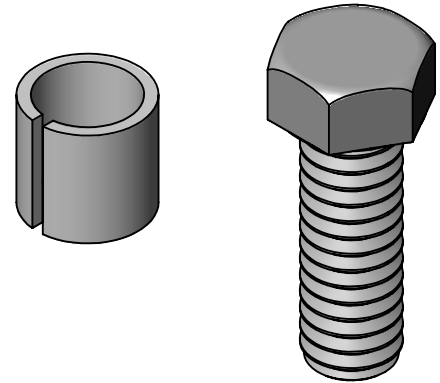




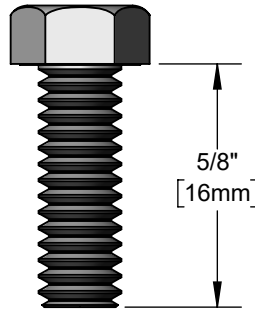
Architect/Engineering Specifications:

Screw and spacer for T&S pedal valve.

Job Name _____
 Model Specified _____ Quantity _____
 Variations Specified _____
 Date _____



Pedal Spring
Spacer



Pedal Spring
Retainer Screw

Features & Benefits:

- Screw and spacer for T&S pedal valve
- Material: Steel spacer and stainless steel screw

Product Compliance:

- N/A

Warranty: One Year (Limited)

Performance Data:

- N/A

