



# T&S BRASS AND BRONZE WORKS, INC.

2 Saddleback Cove / P.O. Box 1088  
Travelers Rest, SC 29690

Model No.

**B-7143-U06WS2C**

Item No.

Travelers Rest, SC: 800-476-4103 • Simi Valley, CA: 800-423-0150 • Fax: 864-834-3518 • www.tsbrass.com

This Space for Architect/Engineer Approval

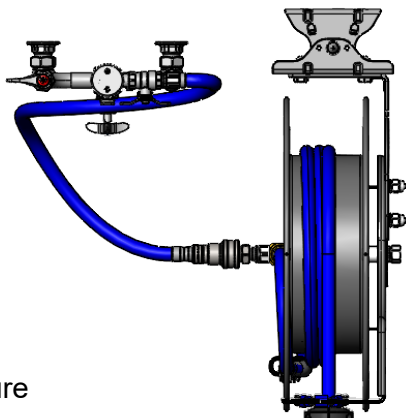
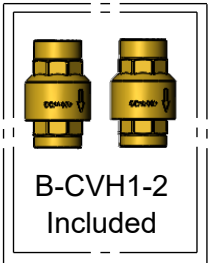
Job Name \_\_\_\_\_ Date \_\_\_\_\_

Model Specified \_\_\_\_\_ Quantity \_\_\_\_\_

Customer/Wholesaler \_\_\_\_\_

Contractor \_\_\_\_\_

Architect/Engineer \_\_\_\_\_



B-0963  
Continuous Pressure  
Vacuum Breaker  
w/ Integral  
Check Valve

1/2" NPT x 36"  
Flexible Water  
Connector to  
Hose Reel

1/2" NPT x 32" Riser

Stainless Steel  
Quick Disconnect

Control Valve

1/2" NPT x 18" Riser

(2) B-0110  
Wall Brackets

12 5/8"  
[321mm]

Ø 2" [51mm]  
Flanges w/  
1/2" NPT  
Female Inlets

Adjustable From  
7 3/4" to 8 1/4"  
[197mm to 210mm]

Quarter-Turn  
Cerama Cartridges  
w/ Check Valves  
& Lever Handles  
w/ Color Coded  
Indexes

3 11/16"  
[94mm]

Open Stainless Steel Hose Reel  
w/ 50' of 1/2" Hose

019653-40  
1/2" NPT  
Live Swivel

MV-2522-34  
Front Trigger  
Water Gun

3 9/16"  
[90mm]

6"  
[152mm]

5 9/16"  
[142mm]

9 1/4"  
[235mm]

Ø 1/2"  
[13mm]  
Typ

57 3/4"  
[1467mm]

19 7/16"  
[494mm]

2 3/8"  
[61mm]

**Product Specifications:**

Open Stainless Steel Hose Reel w/ 50' of 1/2" Hose, Front Trigger Water Gun w/ Swivel, 1/2" NPT Vacuum Breaker, 1/2" NPT Flexible Water Connector, 8" Wall Mount Mixing Faucet, Control Valve, Horizontal Check Valves & EasyInstall Wall Swing Bracket

**Product Compliance:**

NSF 61 Exempt (Non-Potable)  
2019 DOE PRSV Non-Compliant  
ASSE 1056 (VB)



# T&S BRASS AND BRONZE WORKS, INC.

2 Saddleback Cove / P.O. Box 1088  
Travelers Rest, SC 29690

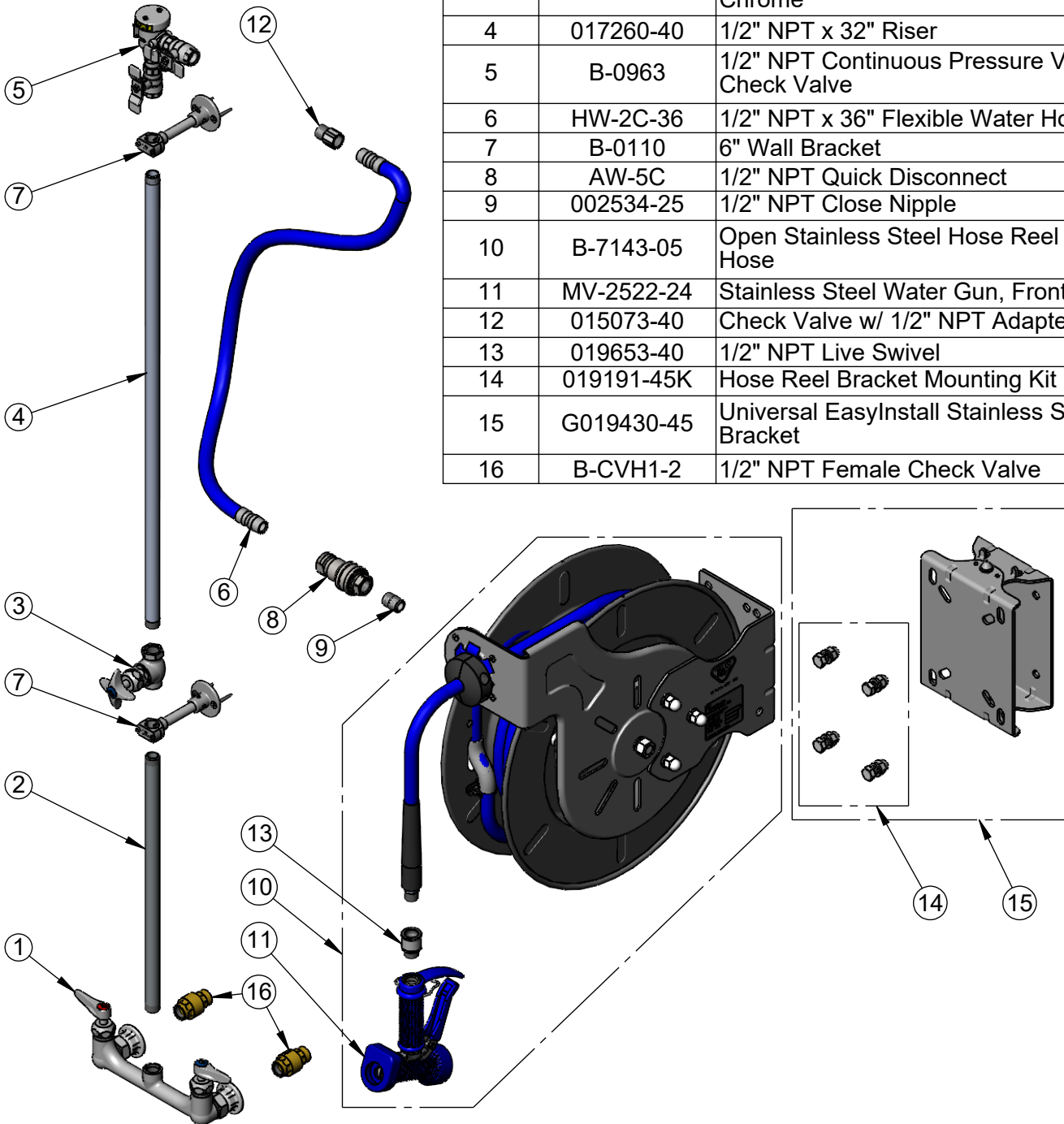
Model No.

**B-7143-U06WS2C**

Item No.

Travelers Rest, SC: 800-476-4103 • Simi Valley, CA: 800-423-0150 • Fax: 864-834-3518 • www.tsbrass.com

ITEM NO.	SALES NO.	DESCRIPTION
1	020479-40	8" Wall Mount Mixing Faucet
2	013963-40	1/2"NPT x 18" Riser
3	0RK3	1/2" NPT Shut-Off Control Valve, Polished Chrome
4	017260-40	1/2" NPT x 32" Riser
5	B-0963	1/2" NPT Continuous Pressure VB w/ Integral Check Valve
6	HW-2C-36	1/2" NPT x 36" Flexible Water Hose
7	B-0110	6" Wall Bracket
8	AW-5C	1/2" NPT Quick Disconnect
9	002534-25	1/2" NPT Close Nipple
10	B-7143-05	Open Stainless Steel Hose Reel w/ 50' of 1/2" Hose
11	MV-2522-24	Stainless Steel Water Gun, Front Trigger
12	015073-40	Check Valve w/ 1/2" NPT Adapter
13	019653-40	1/2" NPT Live Swivel
14	019191-45K	Hose Reel Bracket Mounting Kit
15	G019430-45	Universal EasyInstall Stainless Steel Swing Bracket
16	B-CVH1-2	1/2" NPT Female Check Valve



**Product Specifications:**

Open Stainless Steel Hose Reel w/ 50' of 1/2" Hose, Front Trigger Water Gun w/ Swivel, 1/2" NPT Vacuum Breaker, 1/2" NPT Flexible Water Connector, 8" Wall Mount Mixing Faucet, Control Valve, Horizontal Check Valves & EasyInstall Wall Swing Bracket

**Product Compliance:**

NSF 61 Exempt (Non-Potable)  
2019 DOE PRSV Non-Compliant  
ASSE 1056 (VB)