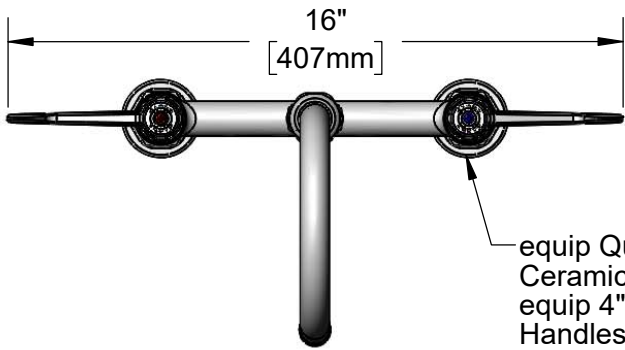




**ADA Compliant**



equip Quarter-Turn Ceramic Cartridges & equip 4" Wrist Action Handles w/ Color Coded Screws

*This Space for Architect/Engineer Approval*

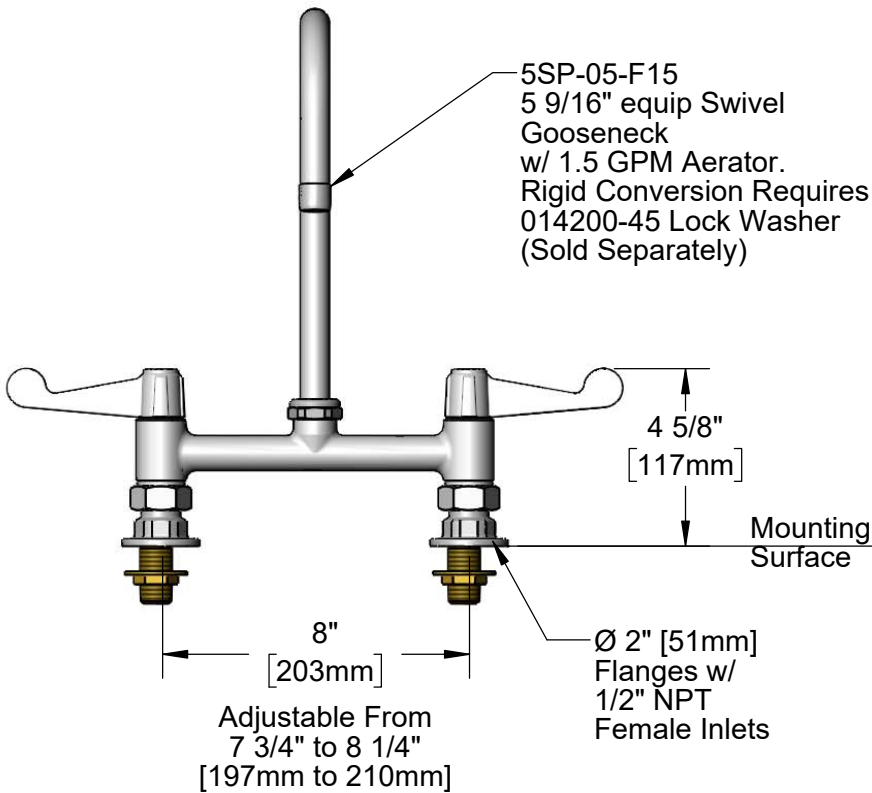
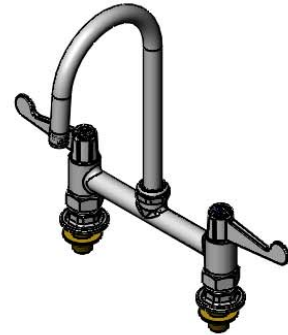
Job Name \_\_\_\_\_ Date \_\_\_\_\_

Model Specified \_\_\_\_\_ Quantity \_\_\_\_\_

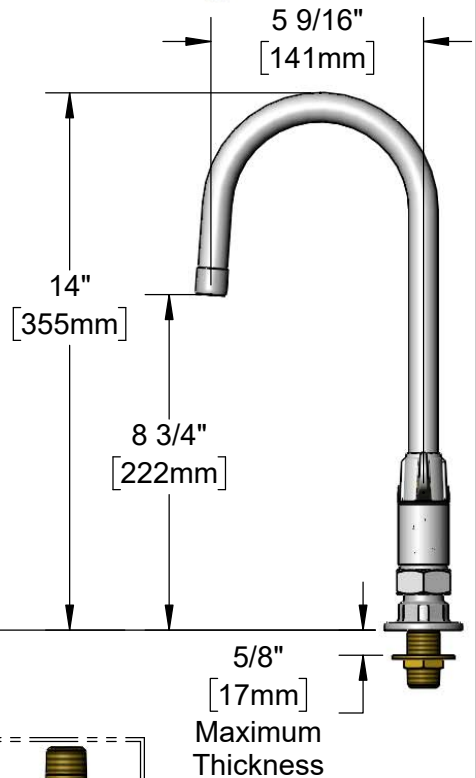
Customer/Wholesaler \_\_\_\_\_

Contractor \_\_\_\_\_

Architect/Engineer \_\_\_\_\_



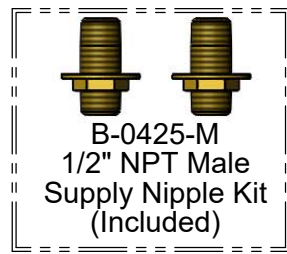
5SP-05-F15  
5 9/16" equip Swivel Gooseneck w/ 1.5 GPM Aerator. Rigid Conversion Requires 014200-45 Lock Washer (Sold Separately)



Mounting Surface

Ø 2" [51mm] Flanges w/ 1/2" NPT Female Inlets

5/8" [17mm] Maximum Thickness



Rough-In Requirement:  
(2) Ø 1" [25mm] Mounting Holes

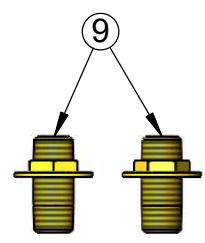
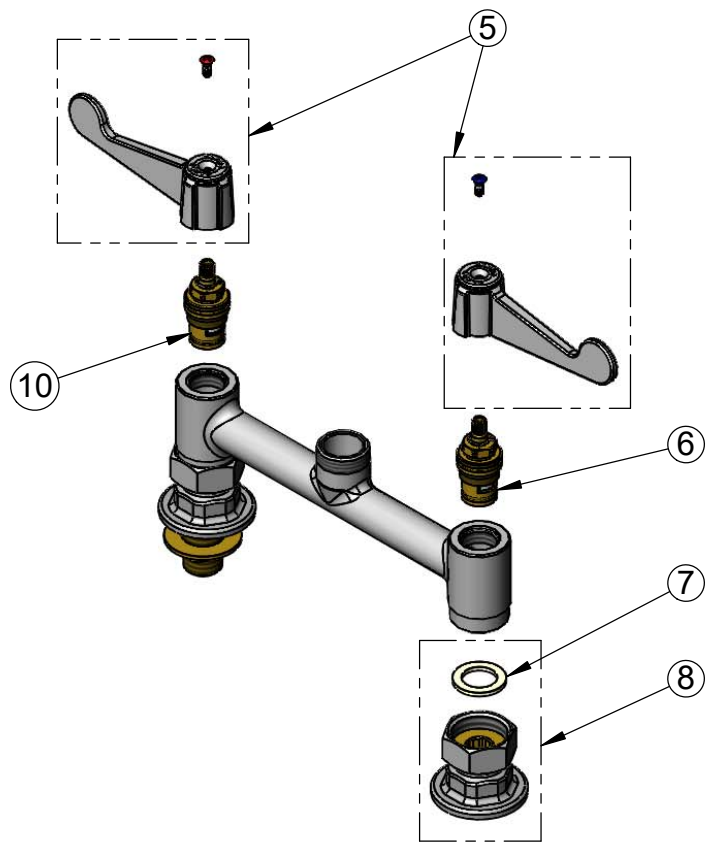
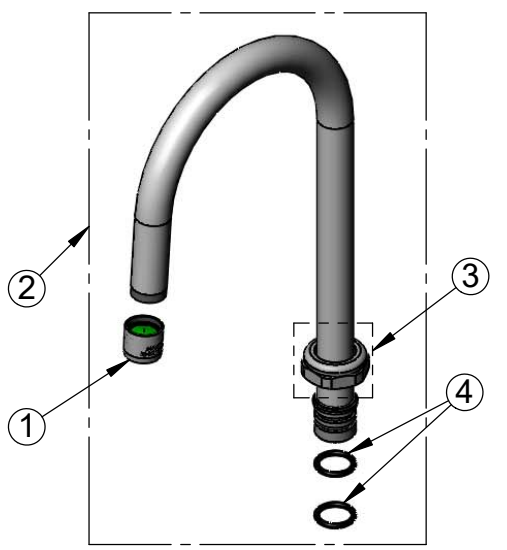
Model Number  
**5F-8DWS05-F15**

Product Specifications:  
8" Deck Mount Mixing Faucet w/ equip Quarter-Turn Ceramic Cartridges, equip 4" Wrist Action Handles, 5 9/16" equip Swivel Gooseneck with 1.5 GPM Aerator & 1/2" NPT Male Supply Nipple Kit

Product Compliance:  
ASME A112.18.1 / CSA B125.1  
NSF 61 - Section 9  
NSF 372 (Low Lead Content)  
ANSI A117.1 (ADA)

equip Foodservice Accessories  2 Saddleback Cove, P.O. Box 1088  
Travelers Rest, South Carolina 29690  
Phone: 800.891.4808 Fax: 800.868.0084  
equip.tsbrass.com

ITEM NO.	SALES NO.	DESCRIPTION
1	SP-F15	1.5 GPM Aerator, 3/4-27 UN Female
2	5SP-05-F15	5 9/16" Swivel Gooseneck
3	013839-25	equip Swivel Nut
4	013848-45	O-Ring
5	5-HDL-W	equip 4" Wrist Action Handle w/ Color Coded Screws
6	013788-45	equip Quarter-Turn Ceramic Cartridge, LTC (Blue)
7	001019-45	Coupling Nut Washer
8	00AA	1/2" NPT Female Eccentric Flange
9	B-0425-M	1/2" NPT Male Supply Nipple Kit (2)
10	013787-45	equip Quarter-Turn Ceramic Cartridge, RTC (Red)



Model Number  
**5F-8DWS05-F15**

Product Compliance:  
ASME A112.18.1 / CSA B125.1  
NSF 61 - Section 9  
NSF 372 (Low Lead Content)  
ANSI A117.1 (ADA)

Product Specifications:  
**8" Deck Mount Mixing Faucet w/ equip Quarter-Turn Ceramic Cartridges, equip 4" Wrist Action Handles, 5 9/16" equip Swivel Gooseneck with 1.5 GPM Aerator & 1/2" NPT Male Supply Nipple Kit**

equip  
Foodservice  
Accessories



2 Saddleback Cove, P.O. Box 1088  
Travelers Rest, South Carolina 29690  
Phone: 800.891.4808 Fax: 800.868.0084  
equip.tsbrass.com