



Architect/Engineering Specifications:

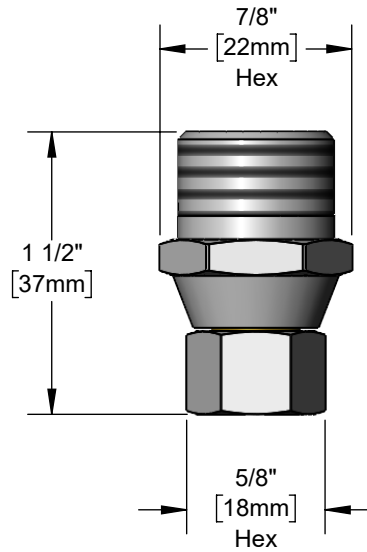
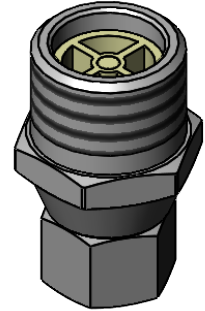
Check valve adapter with 3/8" compression female swivel nut inlet, 1/2" NPSM male outlet and filter washer in swivel nut. Certified to NSF 61-Section 9 and NSF 372.

Job Name _____

Model Specified _____ Quantity _____

Variations Specified _____

Date _____



Features & Benefits:

- Chrome plated brass body & swivel nut
- 3/8" compression (9/16-24 UNEF) female swivel nut inlet with filter washer
- 1/2" NPSM male outlet with check valve
- Material: Chrome plated brass

Product Compliance:

- NSF 61 - Section 9
- NSF 372 (Low Lead Content)



Warranty: One Year (Limited)

Performance Data:

- Pressure: 20 - 125 psi [1.38 - 8.62 bar]
- Temperature: 40°F - 140°F [4.44 C - 60 C]
- Flow Rate: 4.50 GPM [17.03 L/min] @ 60 psi [4.14 bar]

