



# T&S BRASS AND BRONZE WORKS, INC.

2 Saddleback Cove / P.O. Box 1088  
Travelers Rest, SC 29690

Model No.

**BP-2712-BN**

Item No.

Travelers Rest, SC: 800-476-4103 • Simi Valley, CA: 800-423-0150 • Fax: 864-834-3518 • www.tsbrass.com

## LAKECREST™

BY T&S



ADA Compliant

This Space for Architect/Engineer Approval

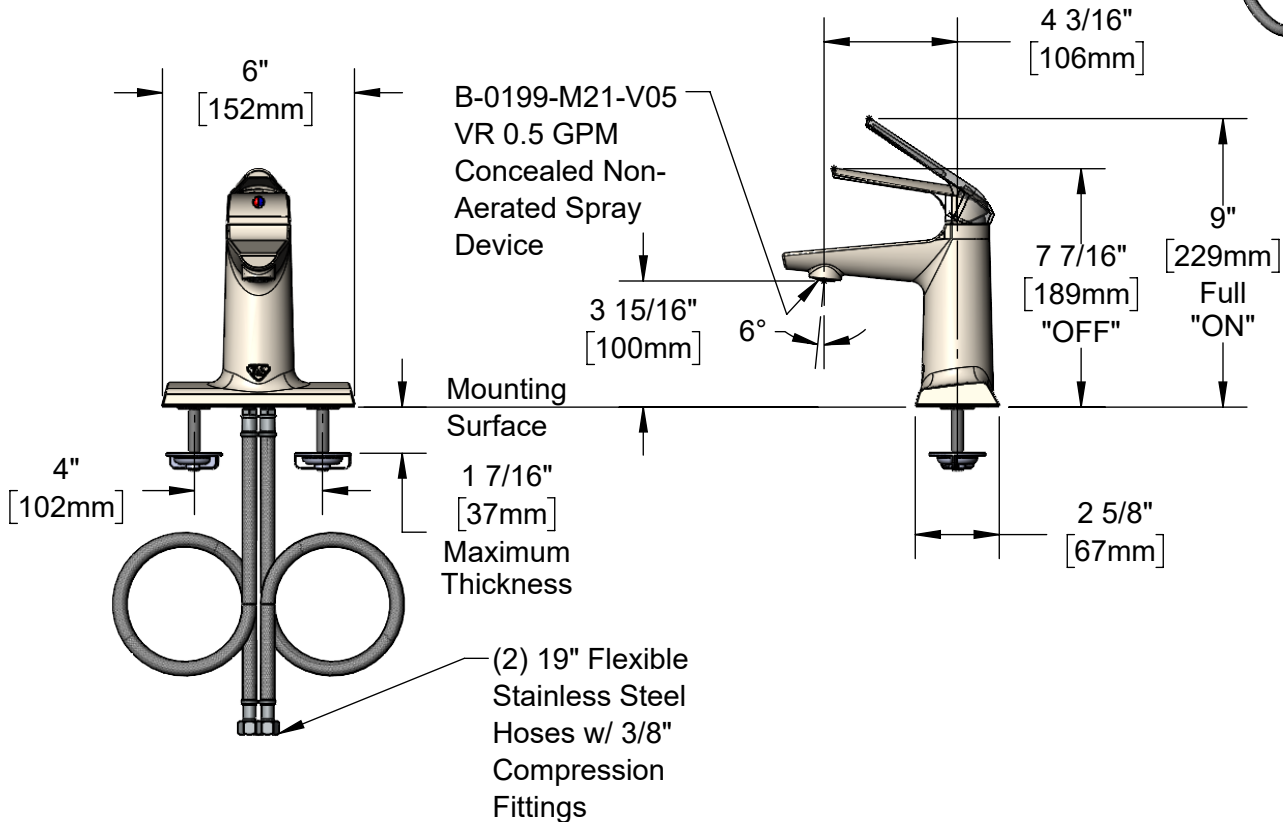
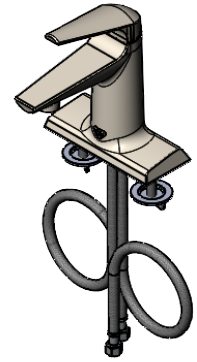
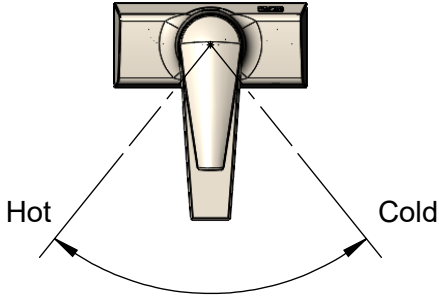
Job Name \_\_\_\_\_ Date \_\_\_\_\_

Model Specified \_\_\_\_\_ Quantity \_\_\_\_\_

Customer/Wholesaler \_\_\_\_\_

Contractor \_\_\_\_\_

Architect/Engineer \_\_\_\_\_



### Rough-in Requirement:

Ø 1 1/2" [38 mm] Mounting Hole

(2) Ø 1 1/8" [29 mm] Side Holes

### Product Specifications:

LakeCrest Brushed Nickel Plated 4" Centerset Deck Mount Single Lever Faucet, Ceramic Cartridge, 0.5 GPM Concealed Vandal Resistant Non-Aerated Spray Device & 19" Flexible Stainless Steel Braided Supply Hoses

### Product Compliance:

ASME A112.18.1 / CSA B125.1  
NSF 61 - Section 9  
NSF 372 (Low Lead Content)  
ANSI A117.1 (ADA)



# T&S BRASS AND BRONZE WORKS, INC.

2 Saddleback Cove / P.O. Box 1088  
Travelers Rest, SC 29690

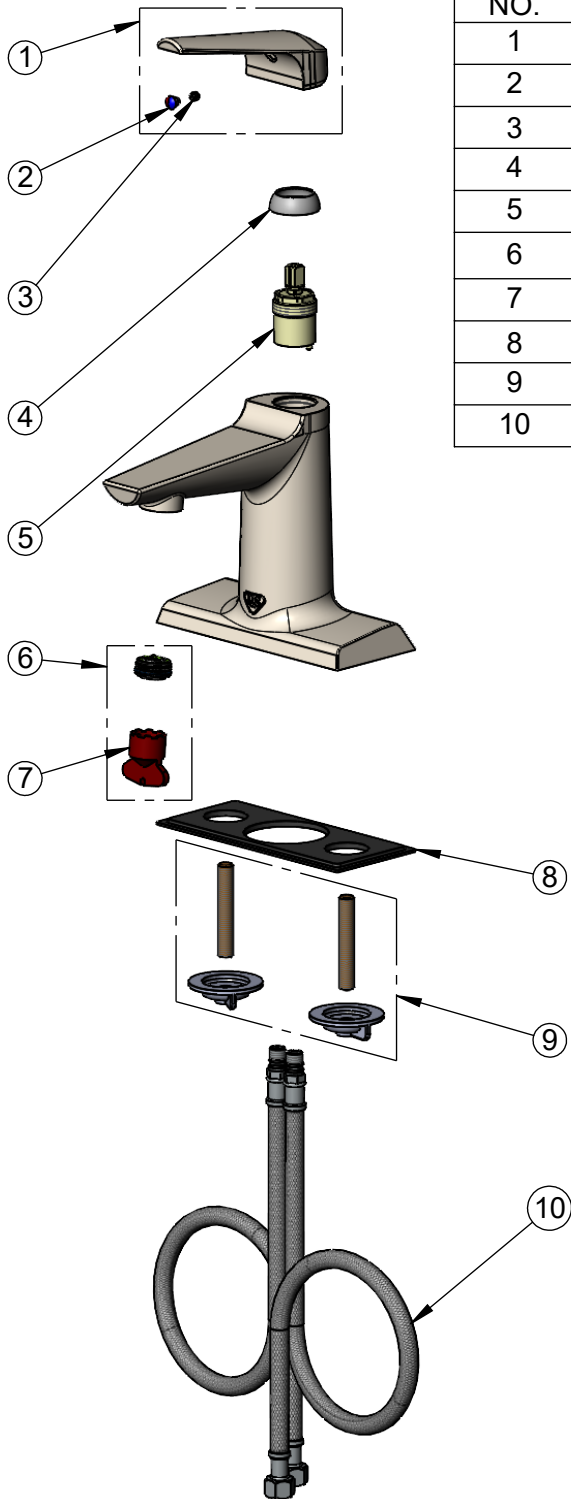
Model No.

**BP-2712-BN**

Item No.

Travelers Rest, SC: 800-476-4103 • Simi Valley, CA: 800-423-0150 • Fax: 864-834-3518 • www.tsbrass.com

ITEM NO.	SALES NO.	DESCRIPTION
1	020515-60	Single Lever Handle (Brushed Nickel)
2	014173-45	Index, Temperature
3	021098-45	18-8 Stainless Steel Cone-Point Set Screw
4	020516-60	Trim Ring (Brushed Nickel)
5	020518-45	Ceramic Cartridge
6	B-0199-M21-V05	0.5 GPM Concealed Spray Device, M21.5 x 1
7	020674-45	M21.5 x 1 Red Cache Key
8	020797-45	6" Deck Gasket
9	014162-45	Kit, Side Mounting Posts w/ Locknuts
10	019969-45	19" Flexible Supply Hose



**Product Specifications:**

LakeCrest Brushed Nickel Plated 4" Centerset Deck Mount Single Lever Faucet, Ceramic Cartridge, 0.5 GPM Concealed Vandal Resistant Non-Aerated Spray Device & 19" Flexible Stainless Steel Braided Supply Hoses

**Product Compliance:**

ASME A112.18.1 / CSA B125.1  
NSF 61 - Section 9  
NSF 372 (Low Lead Content)  
ANSI A117.1 (ADA)