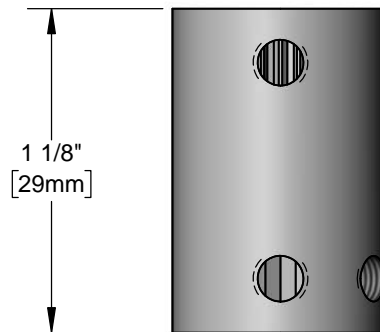
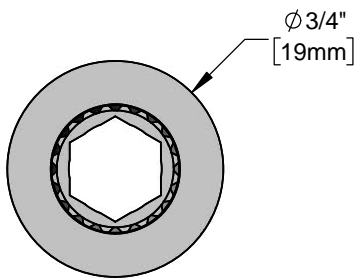
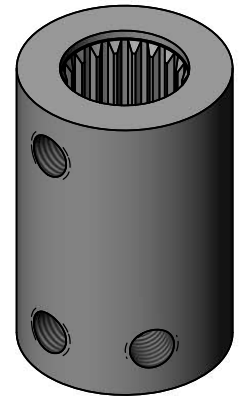




**Architect/Engineering Specifications:**

Brass coupling for remote valve with #10-32 female thread.

Job Name \_\_\_\_\_  
 Model Specified \_\_\_\_\_ Quantity \_\_\_\_\_  
 Variations Specified \_\_\_\_\_  
 Date \_\_\_\_\_



**Features & Benefits:**

- Coupling for remote valve
- #10-32 female thread
- Material: Brass

**Product Compliance:**

- N/A

**Warranty:** One Year (Limited)

**Performance Data:**

- N/A

