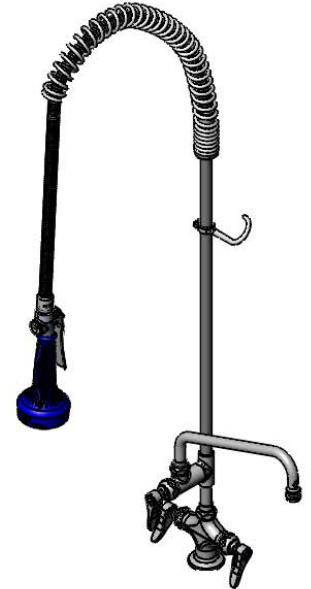
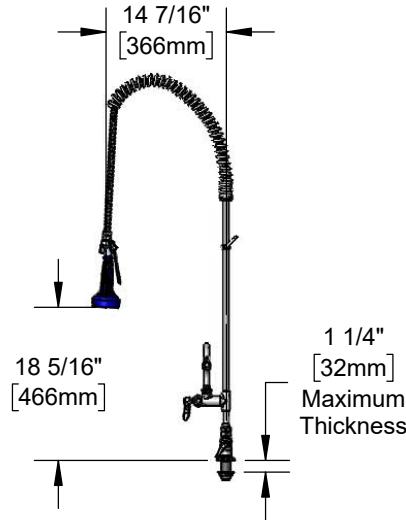
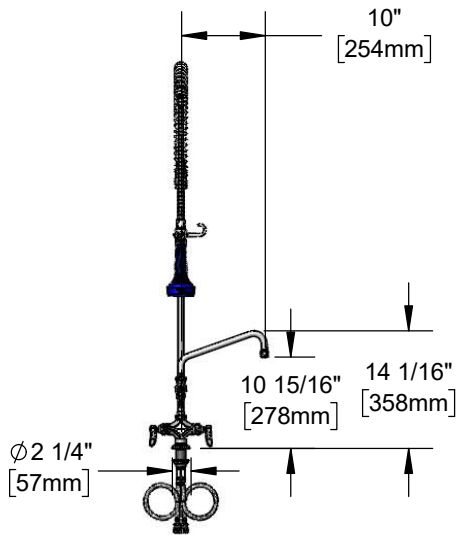




Architect/Engineering Specifications:

Single hole deck mount mixing faucet with polished chrome plated brass body, add-on faucet with compression cartridge and lever handle, 10" swing nozzle with stream regulator outlet, 24" riser, 44" flexible stainless steel hose, 1.07 GPM spray valve with insulated grip handle, compression cartridges with spring checks, lever handles, 18" flexible stainless steel supply hoses with 1/2" NPSM / 5/8" O.D. compression connections, spray valve holder and overhead spring. Certified to ASME A112.18.1/CSA B125.1, NSF 61-Section 9 and NSF 372. 2019 DOE PRSV - Class II compliant.

Job Name _____
Model Specified _____ Quantity _____
Variations Specified _____
Date _____



Features & Benefits:

- Single hole deck mount w/ polished chrome plated brass body
EasyInstall add-on faucet w/ polished chrome plated brass body
10" swing nozzle w/ stream regulator outlet, Series 1
24" rigid riser
44" flexible stainless steel hose
1.07 GPM JeTSpray spray valve with insulated grip handle, stainless steel trigger and trigger lock
Quarter-turn Eterna compression cartridges w/ spring checks to prevent cross flow of water
Lever handles w/ color coded indexes
18" flexible stainless steel supply hoses with 1/2" NPSM / 5/8" O.D. compression connections
Material: Polished chrome plated brass body, add-on faucet, riser and spray valve, stainless steel hose & chrome plated metal handles

Product Compliance:

- ASME A112.18.1 / CSA B125.1
NSF 61 - Section 9
NSF 372 (Low Lead Content)
2019 DOE PRSV - Class II



Warranty: Three Year (Limited)

Performance Data:

- Pressure: 20 - 125 psi
Temperature: 40 °F - 140 °F
Flow Rate:
Spray Valve: 1.07 GPM @ 60 psi
Add-On Faucet: 5.57 GPM @ 60 psi

Optional Add-On Faucet Outlets (Series 1 / VR Series 6)

Table with 3 columns: GPM, Aerated, VR Aerated (VR Laminar). Rows include options for 1.0, 1.5, and 2.2 GPM flow rates.

Optional Cartridges With Checks

- Quarter-Turn Cerama w/ Check Valve
Quarter-Turn Eterna w/ Spring Check (Standard)

Optional Pre-Rinse Spray Valves

- B-0107 (1.15 GPM)
B-0107-C (0.65 GPM)
B-0107-J (1.07 GPM)
B-0108 (1.07 GPM) (Standard)
B-0108-C (0.65 GPM)

Optional Handles

- 4" Wrist Action
Lever (Standard)
4-Arm

