



T&S BRASS AND BRONZE WORKS, INC.

2 Saddleback Cove / P.O. Box 1088
Travelers Rest, SC 29690

Model No.

B-0225-CR-K-F10

Item No.

Travelers Rest, SC: 800-476-4103 • Simi Valley, CA: 800-423-0150 • Fax: 864-834-3518 • www.tsbrass.com



ADA Compliant



This Space for Architect/Engineer Approval

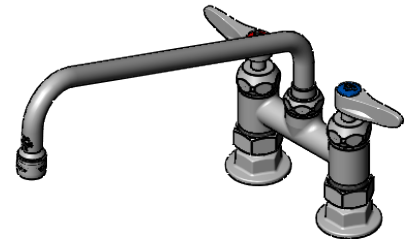
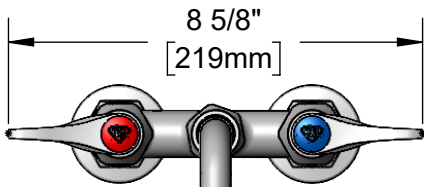
Job Name _____ Date _____

Model Specified _____ Quantity _____

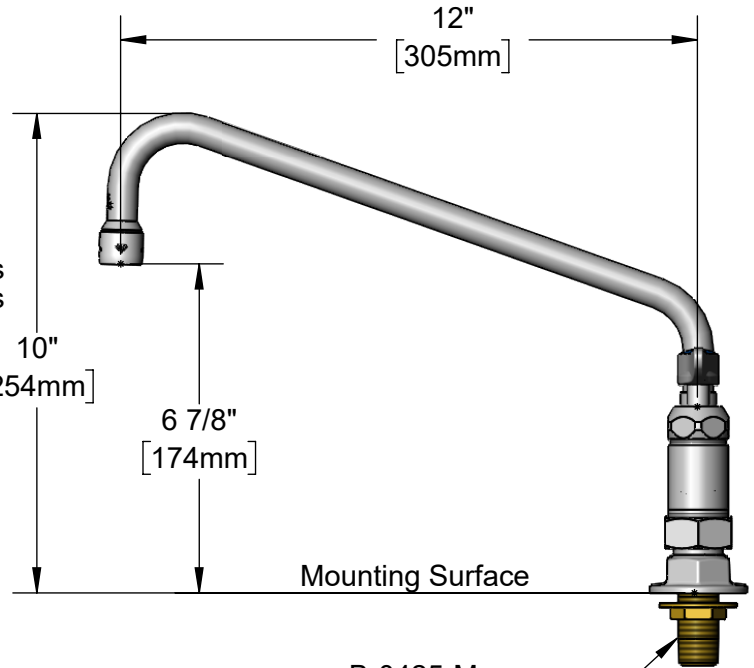
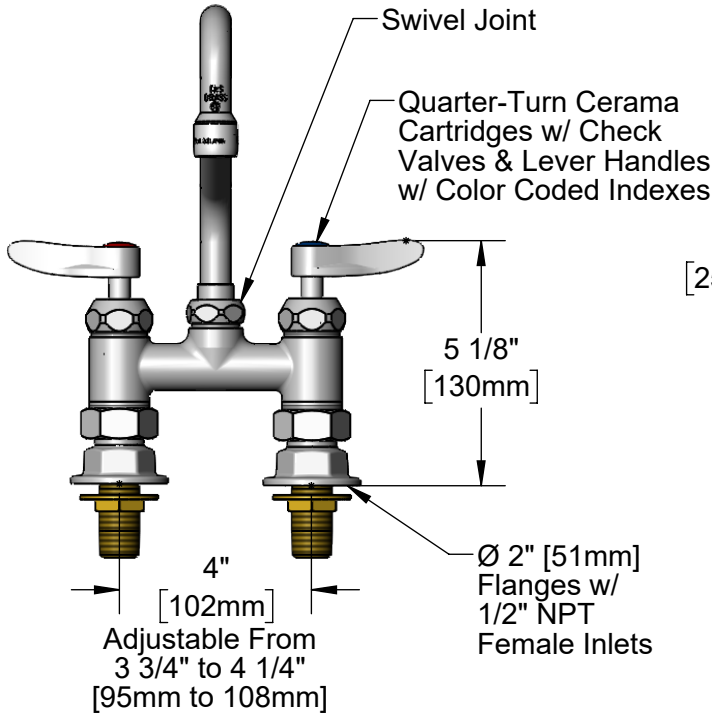
Customer/Wholesaler _____

Contractor _____

Architect/Engineer _____



12" Swing Nozzle w/
1.0 GPM Aerator.
Rigid Conversion Requires
014200-45 Lock Washer
(Included)



Product Specifications:

4" Deck Mount Mixing Faucet, Quarter-Turn Cerama Cartridges w/ Check Valves, Lever Handles, 12" Swing Nozzle w/ 1.0 GPM Aerator, 1/2" NPT Female Inlets & 1/2" NPT Supply Nipple Kit

Product Compliance:

ASME A112.18.1 / CSA B125.1
NSF 61 - Section 9
NSF 372 (Low Lead Content)
ANSI A117.1 (ADA)
EPA WaterSense



T&S BRASS AND BRONZE WORKS, INC.

2 Saddleback Cove / P.O. Box 1088
Travelers Rest, SC 29690

Model No.

B-0225-CR-K-F10

Item No.

Travelers Rest, SC: 800-476-4103 • Simi Valley, CA: 800-423-0150 • Fax: 864-834-3518 • www.tsbrass.com

	ITEM NO.	SALES NO.	DESCRIPTION
	1	B-0199-01-F10	1.0 GPM Aerator, 55/64-27 UN Female
	2	009538-45	Swivel Washer
	3	011429-45	Swivel Sleeves (2)
	4	001074-45	O-Ring
	5	014200-45	Star Washer, Anti-Rotation
	6	018506-19NS	Blue Button Index, Press-in
	7	000925-45	Lab Handle Screw
	8	001638-45NS	Lever Handle (New Style)
	9	012447-25NS	Quarter-Turn Cerama Cartridge w/ Check Valve, Handle, Blue Index & Screw, LTC
	10	012395-25NS	Quarter-Turn Cerama Cartridge w/ Check Valve, LTC
	11	001019-45	Coupling Nut Washer
	12	00AA	1/2" NPT Female Eccentric Flange
	13	000422-20	1/2" NPT x 2" Supply Nipple
	14	B-0425-M	1/2" NPT Supply Nipple Kit (2)
	15	000999-45	Brass Lock Washer
	16	002954-45	Shank Lock Nut
	17	012446-25NS	Quarter-Turn Cerama Cartridge w/ Check Valve, Handle, Red Index & Screw, RTC
	18	012394-25NS	Quarter-Turn Cerama Cartridge w/ Check Valve, RTC
	19	001193-19NS	Red Button Index, Press-in

Product Specifications:
4" Deck Mount Mixing Faucet, Quarter-Turn Cerama Cartridges w/ Check Valves, Lever Handles, 12" Swing Nozzle w/ 1.0 GPM Aerator, 1/2" NPT Female Inlets & 1/2" NPT Supply Nipple Kit

Product Compliance:
ASME A112.18.1 / CSA B125.1
NSF 61 - Section 9
NSF 372 (Low Lead Content)
ANSI A117.1 (ADA)
EPA WaterSense