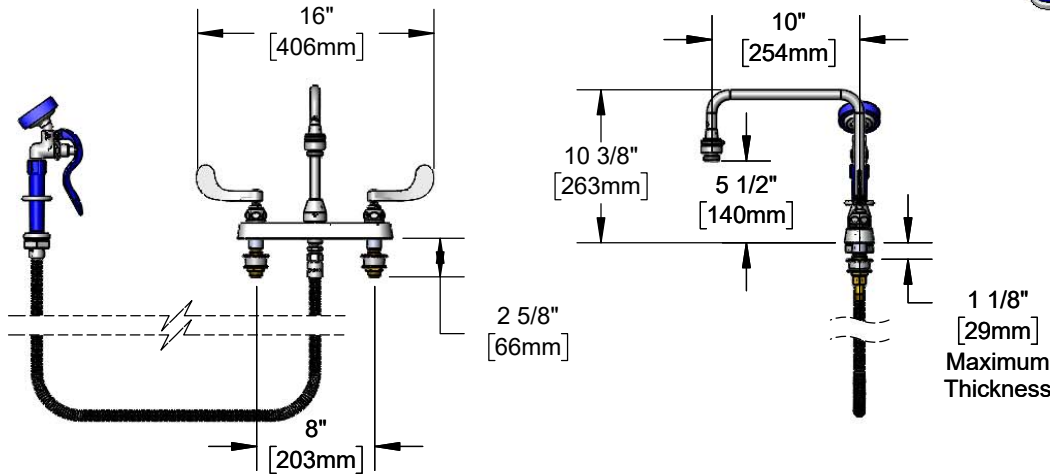
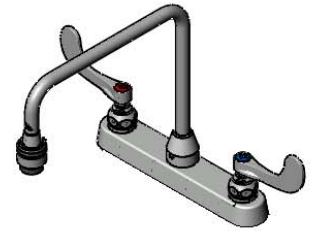




Architect/Engineering Specifications:

8" deck mount mixing faucet with chrome plated brass body, 10" swing nozzle with garden hose male vacuum breaker outlet, compression cartridges with spring checks, 4" wrist action handles, chrome plated escutcheon, 60" flexible stainless steel hose with heat resistant handle, self-closing angled high flow spray valve, deck flange hose guide and extended 1/2" NPSM male inlets. Certified to ASME A112.18.1/CSA B125.1, NSF 61-Section 9, NSF 372 and ASSE 1011.

Job Name _____
 Model Specified _____ Quantity _____
 Variations Specified _____
 Date _____



Features & Benefits:

- 8" deck mount mixing faucet w/ chrome plated brass body
- 10" swing nozzle w/ garden hose male vacuum breaker outlet
- Quarter-turn Eterna compression cartridges with spring checks to prevent cross flow of water
- 4" wrist action handles w/ color coded indexes
- Removable brass seats
- Chrome plated escutcheon
- 60" flexible stainless steel hose w/ heat resistant blue handle and hold down ring
- Self-closing angled high flow spray valve
- Deck flange hose guide
- 1/2" NPT male inlets
- Tailpieces and nuts for 1/4" NPT male connections
- Material: Chrome plated brass body, tubular spout, spray valve body and deck flange, stainless steel hose and chrome plated metal handles and escutcheon

Product Compliance:

- ASME A112.18.1 / CSA B125.1
- NSF 61 - Section 9
- NSF 372 (Low Lead Content)
- 2019 DOE PRSV Non-Compliant
- ASSE 1011 (VB)



Warranty: One Year (Limited)

Performance Data:

- Pressure: 20 - 125 psi
- Temperature: 40 °F - 140 °F
- Flow Rate:
 - Faucet: 3.86 GPM @ 60 psi
 - Spray Valve: 2.11 GPM @ 60 psi



Optional Handles

- 4" Wrist Action (Standard)
- Lever

Optional Pre-Rinse Spray Valves

- B-0107 (1.15 GPM)
- B-0107-C (0.65 GPM)
- B-0107-J (1.07 GPM)
- B-0108 (1.07 GPM)
- B-0108-C (0.65 GPM)

Optional Cartridges

- Quarter-Turn Cerama w/ Check Valve
- Quarter-Turn Eterna w/ Spring Check (Standard)

