



**T&S BRASS AND BRONZE WORKS, INC.**  
 2 Saddleback Cove / P.O. Box 1088  
 Travelers Rest, SC 29690

Model No.  
**B-5110-CR-B8TP**

Item No.

Travelers Rest, SC: 800-476-4103 • Simi Valley, CA: 800-423-0150 • Fax: 864-834-3518 • www.tsbrass.com

This Space for Architect/Engineer Approval

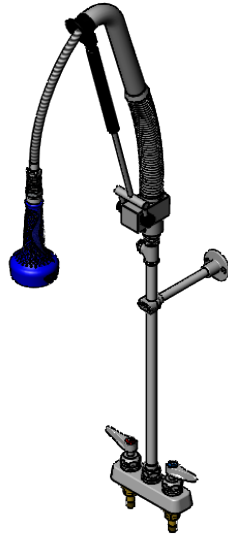
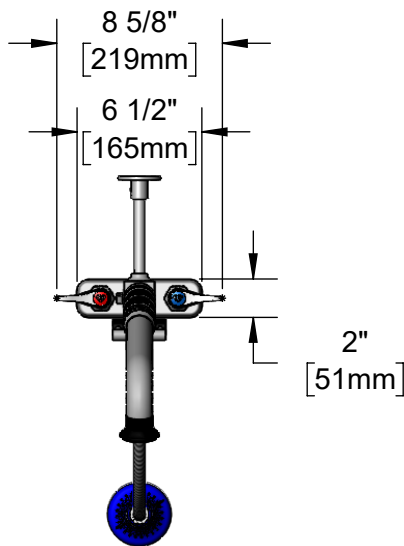
Job Name \_\_\_\_\_ Date \_\_\_\_\_

Model Specified \_\_\_\_\_ Quantity \_\_\_\_\_

Customer/Wholesaler \_\_\_\_\_

Contractor \_\_\_\_\_

Architect/Engineer \_\_\_\_\_



30" Flexible Stainless Steel  
 Hose w/ Spring, Air Cylinder,  
 Swivel & 1.07 GPM Sprayer

Items Not Shown  
 For Clarity

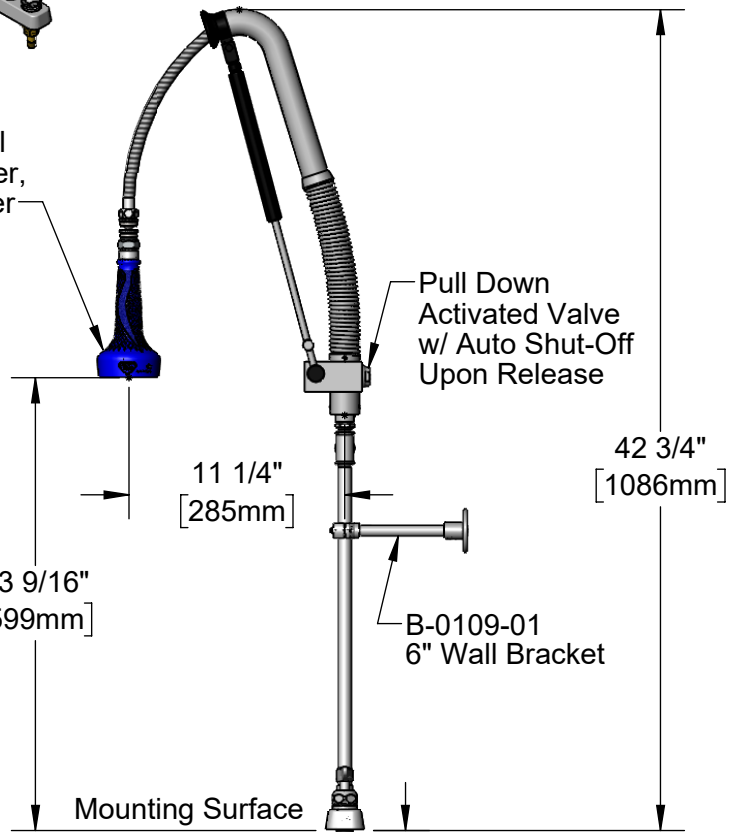
B-TEE-RGD  
 Tee for Accessory  
 Fittings

3/8" NPT x  
 18" Riser

EasyInstall  
 Lock Nut &  
 Bushing

Quarter-Turn  
 Cerama Cartridges w/  
 Check Valves &  
 Lever Handles w/  
 Color Coded Indexes

1/2" NPT  
 Male Inlets



Pull Down  
 Activated Valve  
 w/ Auto Shut-Off  
 Upon Release

11 1/4"  
 [285mm]

23 9/16"  
 [599mm]

42 3/4"  
 [1086mm]

B-0109-01  
 6" Wall Bracket

Mounting Surface

1/4"  
 [6mm]  
 Maximum  
 Thickness

(2) 150A  
 Optional Tailpieces &  
 Nuts For 1/4" NPT  
 Connection (Included)

3 1/4"  
 [82mm]

4"  
 [102mm]

Rough-In Requirement:

(2)  $\phi$  1" [25mm] Mounting Holes

Product Specifications:

EasyInstall Pull-Down Pre-Rinse Unit: 4" Deck Mount Workboard Faucet, Quarter-Turn Cerama Cartridges w/ Check Valves, Lever Handles, 18" Riser, 30" Flexible Stainless Steel Hose, 1.07 GPM Sprayer w/ Ball-Joint Swivel, Accessory Tee, 6" Wall Bracket & 1/2" NPT Male Inlets

Product Compliance:

ASME A112.18.1 / CSA B125.1  
 NSF 61 - Section 9  
 NSF 372 (Low Lead Content)  
 2019 DOE PRSV - Class II



**T&S BRASS AND BRONZE WORKS, INC.**  
 2 Saddleback Cove / P.O. Box 1088  
 Travelers Rest, SC 29690

Model No.  
**B-5110-CR-B8TP**

Item No.

Travelers Rest, SC: 800-476-4103 • Simi Valley, CA: 800-423-0150 • Fax: 864-834-3518 • www.tsbrass.com

ITEM NO.	SALES NO.	DESCRIPTION
1	019898-40	1.07 GPM Sprayer w/ Swivel
2	108SF-RK	Spray Face Repair Kit
3	001014-45	Washer, Hose Barrel
4	005221-25	7/8"-20 x 1/2" BSPP Adapter
5	021046-45	Stainless Steel Ball-Joint Swivel
6	019901-45	30" Stainless Steel Braided Hose w/ 1/2" NPSM Threads
7	020062-45	Air Cylinder Repair Kit
8	020060-45	Spring & Tube Repair Kit
9	020061-45	Valve Stem Repair Kit
10	020063-45	Valve Body Repair Kit
11	001359-40	Hex Bushing, 1/2" NPT Male x 3/8" NPT Female
12	B-TEE-RGD	3/8" NPT Rigid Tee
13	B-0109-01	6" Wall Bracket
14	000369-40	3/8" NPT x 18" Riser
15	EZ-K	EasyInstall Kit: Nut, Bushing, O-ring & Lock Washer
16	014200-45	Star Washer, Anti-Rotation
17	018506-19NS	Blue Button Index, Press-in
18	000925-45	Lab Handle Screw
19	012395-25NS	Quarter-Turn Cerama Cartridge, LTC w/ Check Valve
20	012447-25NS	Quarter-Turn Cerama Cartridge, LTC w/ Check Valve, Lever Handle, Index & Screw
21	019376-40	Escutcheon Lock Nut
22	019611-40	4" c/c Brass Escutcheon
23	000999-45	Brass Lock Washer
24	002954-45	Shank Lock Nut
25	150A	1/4" NPT Tailpiece & Nut
26	012446-25NS	Quarter-Turn Cerama Cartridge, RTC w/ Check Valve, Lever Handle, Index & Screw
27	012394-25NS	Quarter-Turn Cerama Cartridge, RTC w/ Check Valve
28	001638-45NS	Lever Handle (New Style)
29	001193-19NS	Red Button Index, Press-in
30	020064-45	PRU Control Valve Seal Repair Kit
31	021047-40	Hose, Sprayer & Swivel

**Product Specifications:**  
 EasyInstall Pull-Down Pre-Rinse Unit: 4" Deck Mount Workboard Faucet, Quarter-Turn Cerama Cartridges w/ Check Valves, Lever Handles, 18" Riser, 30" Flexible Stainless Steel Hose, 1.07 GPM Sprayer w/ Ball-Joint Swivel, Accessory Tee, 6" Wall Bracket & 1/2" NPT Male Inlets

**Product Compliance:**  
 ASME A112.18.1 / CSA B125.1  
 NSF 61 - Section 9  
 NSF 372 (Low Lead Content)  
 2019 DOE PRSV - Class II