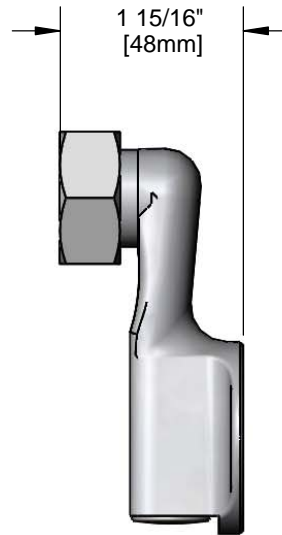
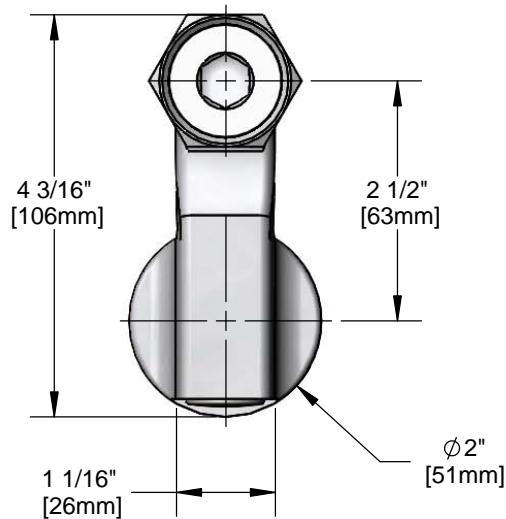




Architect/Engineering Specifications:

Adjustable arm inlet flange with polished chrome brass and 1/2" NPT femal inlet. Certified to NSF 61-Section 9 and NSF 372.

Job Name _____
Model Specified _____ Quantity _____
Variations Specified _____
Date _____



Features & Benefits:

- Adjustable arm inlet flange
- 1/2" NPT female inlet
- Material: Polished chrome plated brass

Product Compliance:

- NSF 61 - Section 9
- NSF 372 (Low Lead Content)



Warranty: One Year (Limited)



Performance Data:

- N/A

