



Gas Appliance Connectors

AG-6F

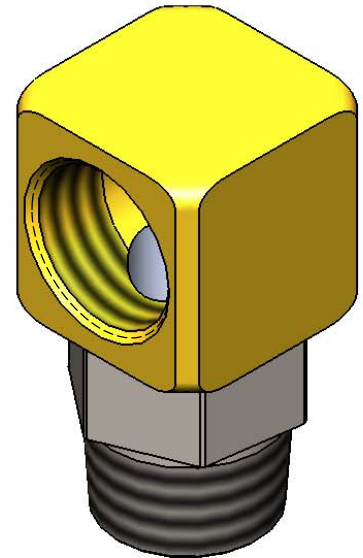
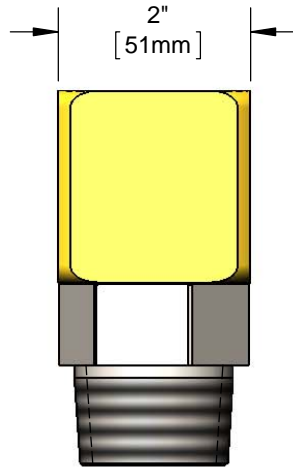
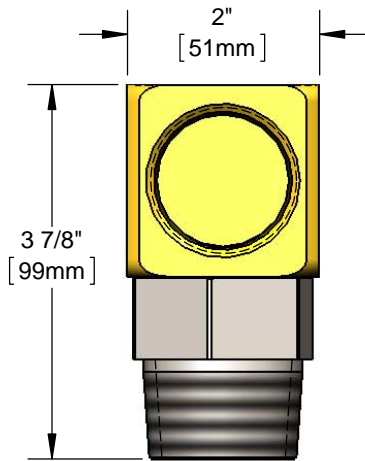
TAG:

1 1/4" SwiveLink

Architect/Engineering Specifications:

1 1/4" NPT SwiveLink.

Job Name _____
 Model Specified _____ Quantity _____
 Variations Specified _____
 Date _____



Features & Benefits:

- Provides a consistent, stress-free, torque-free swivel motion
- Eliminated kinking, allowing entire connector length to be used
- 1 1/4" NPT outlet and inlet
- Allows for full gas flow
- Material: Brass swivel & stainless steel nut

Product Compliance:

- NFPA 54

Warranty: Five Year (Limited)

Performance Data:

- Pressure: 0.5 psi max
- Temperature: 350 °F max w/ Fusible Link Thermal Shut-off
- (2) SwiveLinks on Various Size and Length Connectors (Tested at 1000 BTU/HR, SG=0.64, Pressure Drop=0.5" Water Column)

MODEL	SIZE	CONNECTOR LENGTH				
		24"	36"	48"	60"	72"
1 1/4"	AG-6F	1,042,000	926,000	809,000	735,000	634,000

- (2) SwiveLinks on Various Size and Length Connectors w/ Quick Disconnect (Tested at 1000 BTU/HR, SG=0.64, Pressure Drop=0.3" Water Column)

MODEL	SIZE	CONNECTOR LENGTH				
		24"	36"	48"	60"	72"
1 1/4"	AG-6F	700,000	620,000	540,000	475,000	420,000



T&S BRASS AND BRONZE WORKS, INC.



• 2 Saddleback Cove • Travelers Rest, SC 29690
 Ph 800-476-4103 • Fax 864-834-3518
 • Simi Valley, CA • Ph 800-423-0150 • www.tsbrass.com

Date: 07/24/15