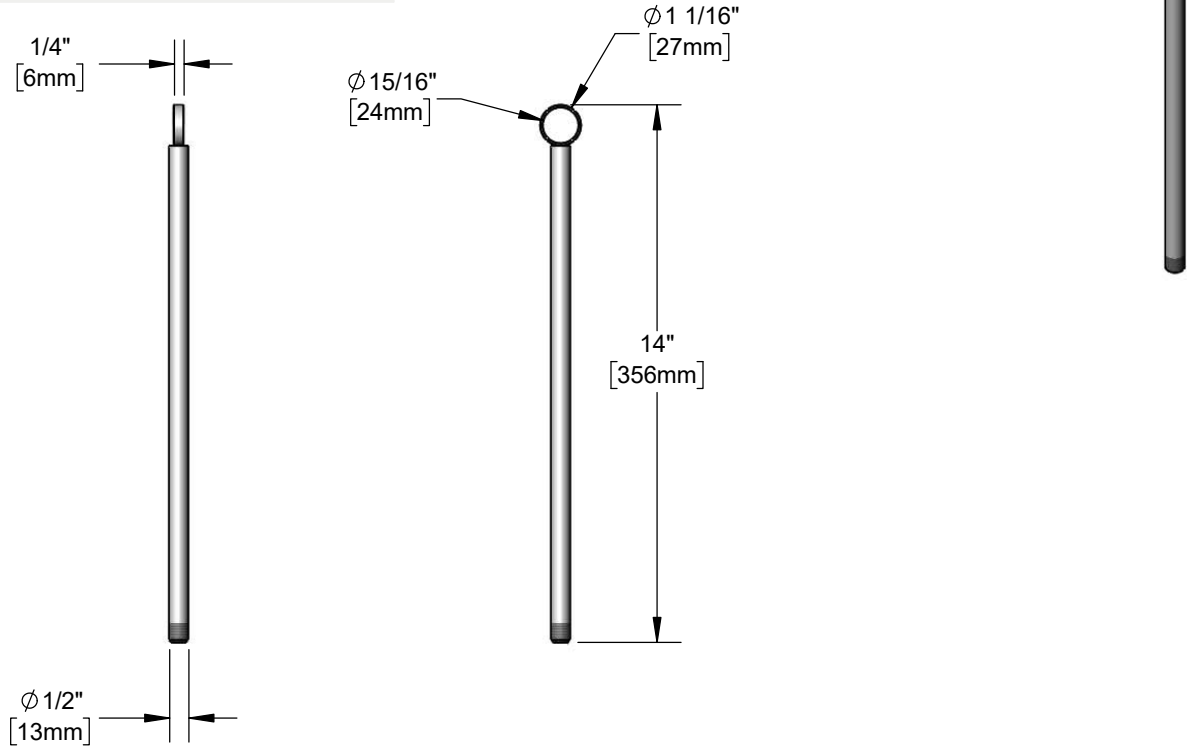




Architect/Engineering Specifications:

14" swivel arm with 1/4" NPT male thread.

Job Name _____
 Model Specified _____ Quantity _____
 Variations Specified _____
 Date _____



Features & Benefits:

- 14" swivel arm
- 1/4" NPT male thread
- Material: Chrome plated steel

Product Compliance:

- N/A

Warranty: One Year (Limited)

Performance Data:

- N/A

