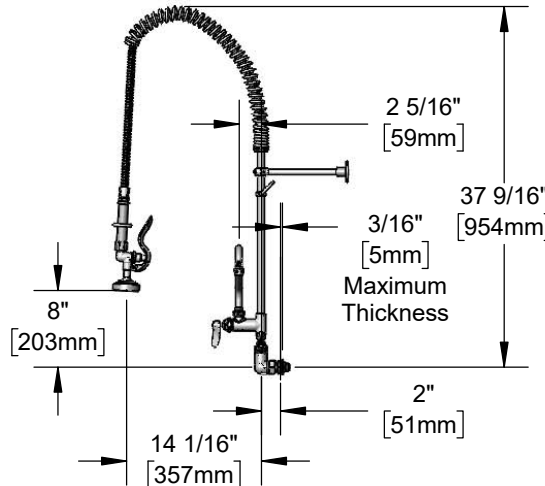
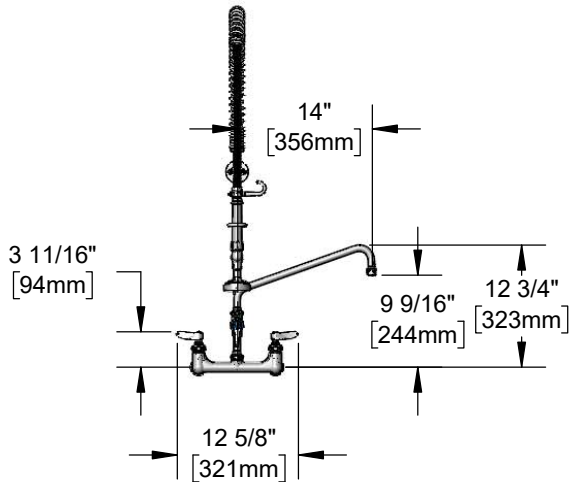




Architect/Engineering Specifications:

8" wall mount mixing faucet with polished chrome plated brass body, add-on faucet with compression cartridge and lever handle, 14" swing nozzle with stream regulator outlet, 18" riser, 44" flexible stainless steel hose with heat resistant handle, 1.15 GPM spray valve, compression cartridges with spring checks, lever handles, 1/2" NPT female inlets, 9" adjustable wall bracket, spray valve holder and overhead spring. Certified to ASME A112.18.1/CSA B125.1, NSF 61-Section 9 and NSF 372. 2019 DOE PRSV - Class II compliant.

Job Name _____
Model Specified _____ Quantity _____
Variations Specified _____
Date _____



Features & Benefits:

- 8" wall mount mixing faucet w/ polished chrome plated brass body
EasyInstall add-on faucet w/ polished chrome plated brass body
14" swing nozzle w/ stream regulator outlet (Series 1)
18" riser
44" flexible stainless steel hose w/ heat resistant gray handle and hold down ring
1.15 GPM spray valve
Quarter-turn Eterna compression cartridges with spring checks to prevent cross flow of water
Lever handles w/ color coded indexes
1/2" NPT male inlets with 1 5/16" hex flanges
9" adjustable wall bracket
Material: Polished chrome plated brass body, add-on faucet, riser & spray valve body, stainless steel hose, and chrome plated metal handles

Product Compliance:

- ASME A112.18.1 / CSA B125.1
NSF 61 - Section 9
NSF 372 (Low Lead Content)
2019 DOE PRSV - Class II



Warranty: Three Year (Limited)

Performance Data:

- Pressure: 20 - 125 psi [1.38 - 8.62 bar]
Temperature: 40 °F - 140 °F [4.44 °C - 60 °C]
Flow Rate:
Spray Valve: 1.15 GPM [4.35 L/min] @ 60 psi [4.14 bar]
Add-On Faucet: 9.73 GPM [36.83 L/min] @ 60 psi [4.14 bar]

Optional Add-On Faucet Outlets (Series 1 / VR Series 6)

Table with 3 columns: GPM, Aerated, VR Aerated (VR Laminar). Rows include 1.0, 1.5, and 2.2 GPM options.

Optional Cartridges With Checks

- Quarter-Turn Cerama w/ Check Valve
Quarter-Turn Eterna w/ Spring Check (Standard)

Optional Handles

- 4" Wrist Action
Lever (Standard)
4-Arm

Optional Pre-Rinse Spray Valves

- B-0107 (1.15 GPM) (Standard)
B-0107-C (0.65 GPM)
B-0107-J (1.07 GPM)
B-0108 (1.07 GPM)
B-0108-C (0.65 GPM)

