



T&S BRASS AND BRONZE WORKS, INC.
 2 Saddleback Cove / P.O. Box 1088
 Travelers Rest, SC 29690

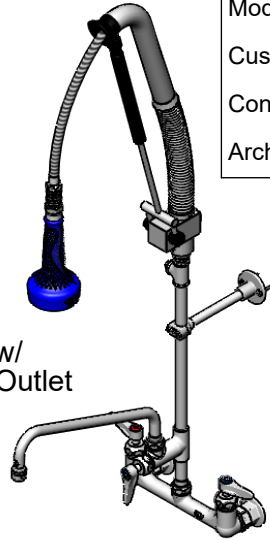
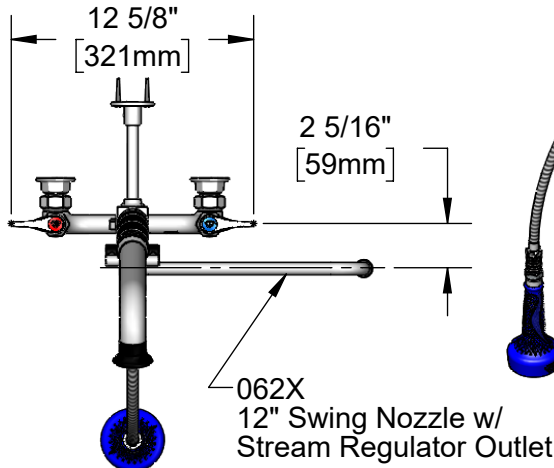
Model No.
B-0133-12CRB8TP

Item No.

Travelers Rest, SC: 800-476-4103 • Simi Valley, CA: 800-423-0150 • Fax: 864-834-3518 • www.tsbrass.com

This Space for Architect/Engineer Approval

Job Name _____ Date _____
 Model Specified _____ Quantity _____
 Customer/Wholesaler _____
 Contractor _____
 Architect/Engineer _____



30" Flexible Stainless Steel
 Hose w/ Spring, Air Cylinder,
 Swivel, & 1.07 GPM Sprayer

Items Not Shown
 For Clarity
 B-TEE-RGD
 Tee for Accessory
 Fittings

3/8" NPT x
 12" Riser

EasyInstall
 Lock Nut
 & Bushing

3 11/16"
 [93mm]

Adjustable From
 7 3/4" to 8 1/4"
 [197mm to 210mm]

Quarter-Turn Cerama
 Cartridges w/ Check
 Valves & Lever Handles
 w/ Color Coded Indexes

21 3/16"
 [539mm]

11 1/4"
 [285mm]

4 7/16"
 [112mm]

14 5/16"
 [364mm]

Pull Down
 Activated Valve
 w/ Auto Shut-Off
 Upon Release

B-0109-01
 6" Wall
 Bracket

EasyInstall
 Add-On Faucet
 w/ Quarter-Turn
 Cerama Cartridge
 & Lever Handle

Mounting
 Surface

Ø 2" [51mm]
 Flanges w/
 1/2" NPT
 Female Inlets

40 3/8"
 [1026mm]

Product Specifications:

EasyInstall Pull-Down Pre-Rinse Unit: 8" Wall Mount Mixing Faucet, Quarter-Turn Cerama Cartridges w/ Check Valves, Lever Handles, Add-On Faucet w/ 12" Swing Nozzle, Accessory Tee, 12" Riser, 30" Flexible Stainless Steel Hose, 1.07 GPM Sprayer w/ Ball-Joint Swivel, 6" Wall Bracket & 1/2" NPT Female Inlets

Product Compliance:

ASME A112.18.1 / CSA B125.1
 NSF 61 - Section 9
 NSF 372 (Low Lead Content)
 2019 DOE PRSV - Class II

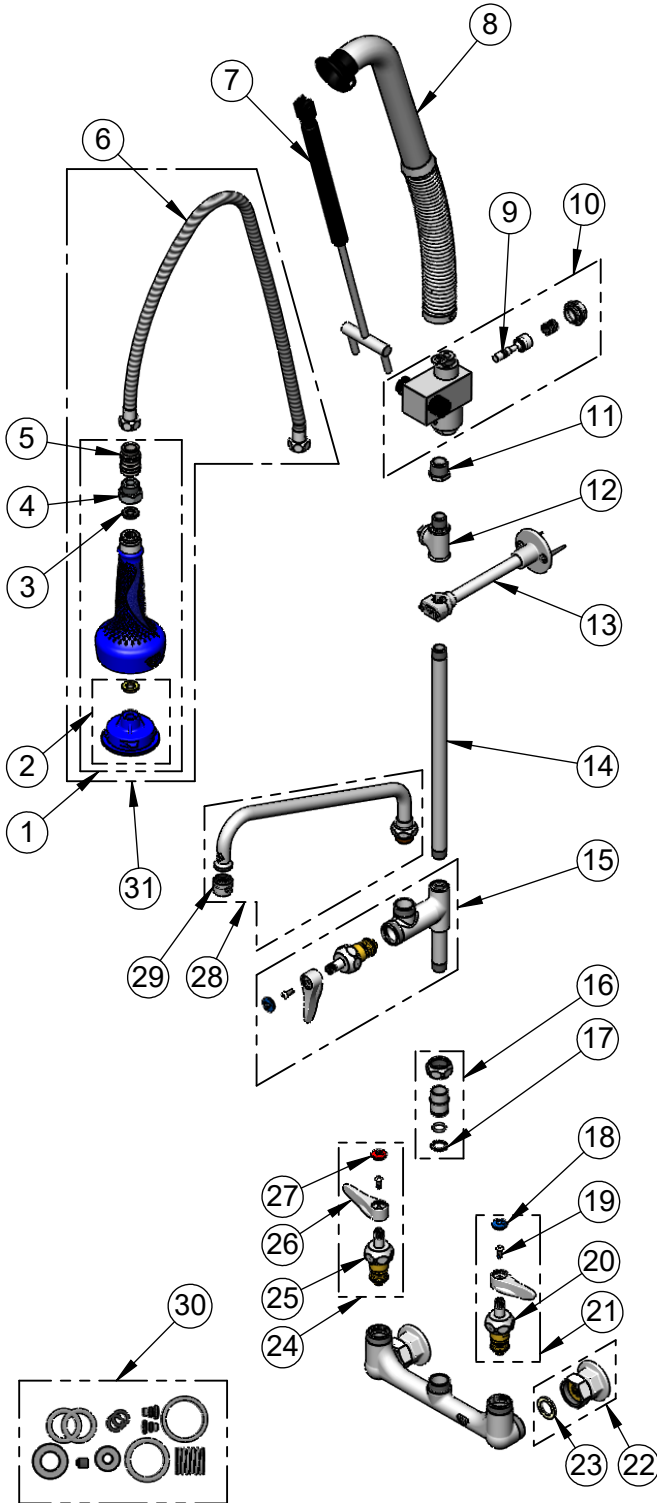


T&S BRASS AND BRONZE WORKS, INC.
 2 Saddleback Cove / P.O. Box 1088
 Travelers Rest, SC 29690

Model No.
B-0133-12CRB8TP

Item No.

Travelers Rest, SC: 800-476-4103 • Simi Valley, CA: 800-423-0150 • Fax: 864-834-3518 • www.tsbrass.com



ITEM NO.	SALES NO.	DESCRIPTION
1	019898-40	1.07 GPM Sprayer w/ Swivel
2	108SF-RK	Spray Face Repair Kit
3	001014-45	Washer, B-0100 Hose Barrel
4	005221-25	7/8-20 UN x 1/2" BSPP Adapter
5	021046-45	Stainless Steel Ball-Joint Swivel
6	019901-45	30" Stainless Steel Braided Hose w/ 1/2" NPSM Threads
7	020062-45	Air Cylinder Repair Kit
8	020060-45	Spring & Tube Repair Kit
9	020061-45	Valve Stem Repair Kit
10	020063-45	Valve Body Repair Kit
11	001359-40	Hex Bushing, 1/2" NPT Male x 3/8" NPT Female
12	B-TEE-RGD	3/8" NPT Rigid Tee
13	B-0109-01	6" Wall Bracket
14	145X	Nipple, 3/8" NPT x 12"
15	B-0155-CR-LN	Add-On Faucet w/ Cerama Cartridge, RTC & Lever Handle (Less Nozzle)
16	EZ-K	EasyInstall Kit: Nut, Bushing, O-ring & Lock Washer
17	014200-45	Star Washer, Anti-Rotation
18	018506-19NS	Blue Button Index, Press-in
19	000925-45	Lab Handle Screw
20	012395-25NS	Quarter-Turn Cerama Cartridge w/ Check Valve, LTC
21	012447-25NS	Quarter-Turn Cerama Cartridge w/ Check Valve, Handle, Blue Index & Screw, LTC
22	00AA	1/2" NPT Female Eccentric Flange
23	001019-45	Coupling Nut Washer
24	012446-25NS	Quarter-Turn Cerama Cartridge w/ Check Valve, Handle, Red Index & Screw, RTC
25	012394-25NS	Quarter-Turn Cerama Cartridge w/ Check Valve, RTC
26	001638-45NS	Lever Handle (New Style)
27	001193-19NS	Red Button Index, Press-in
28	062X	12" Swing Nozzle
29	B-PT	Full Flow Stream Regulator, 55/64-27
30	020064-45	PRU Control Valve Seal Repair Kit
31	021047-40	Hose, Sprayer & Swivel

Product Specifications:
 EasyInstall Pull-Down Pre-Rinse Unit: 8" Wall Mount Mixing Faucet, Quarter-Turn Cerama Cartridges w/ Check Valves, Lever Handles, Add-On Faucet w/ 12" Swing Nozzle, Accessory Tee, 12" Riser, 30" Flexible Stainless Steel Hose, 1.07 GPM Sprayer w/ Ball-Joint Swivel, 6" Wall Bracket & 1/2" NPT Female Inlets

Product Compliance:
 ASME A112.18.1 / CSA B125.1
 NSF 61 - Section 9
 NSF 372 (Low Lead Content)
 2019 DOE PRSV - Class II