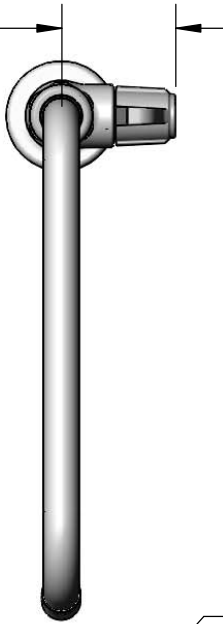


2 3/8"
[60mm]



ADA Compliant

This Space for Architect/Engineer Approval

Job Name _____ Date _____

Model Specified _____ Quantity _____

Customer/Wholesaler _____

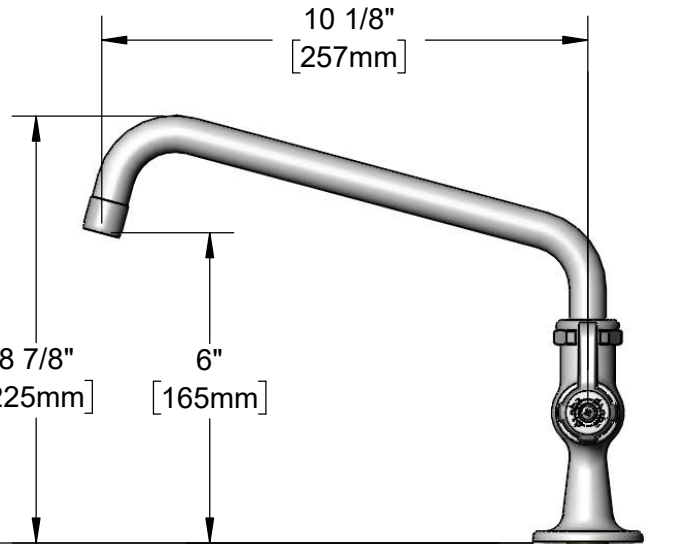
Contractor _____

Architect/Engineer _____



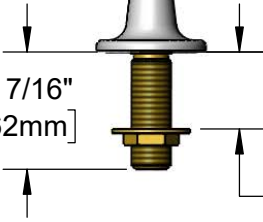
5SP-10-F15
10 1/8" equip Swing Nozzle
w/ 1.5 GPM Aerator.
Rigid Conversion Requires
014200-45 Lock Washer
(Sold Separately)

equip Quarter-Turn
Ceramic Cartridge &
equip Lever Handle



Mounting Surface

2 7/16"
[62mm]



1 5/8"
[41mm]
Maximum
Thickness

Ø 2 5/16"
[58mm]

1/2" NPSM
Male Inlet

Rough-In Requirement:
Ø 1" [25mm] Mounting Hole

Model Number

5F-1SLX10-F15

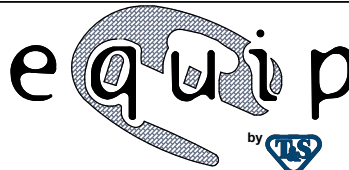
Product Compliance:

ASME A112.18.1 / CSA B125.1
NSF 61 - Section 9
NSF 372 (Low Lead Content)
ANSI A117.1 (ADA)

Product Specifications:

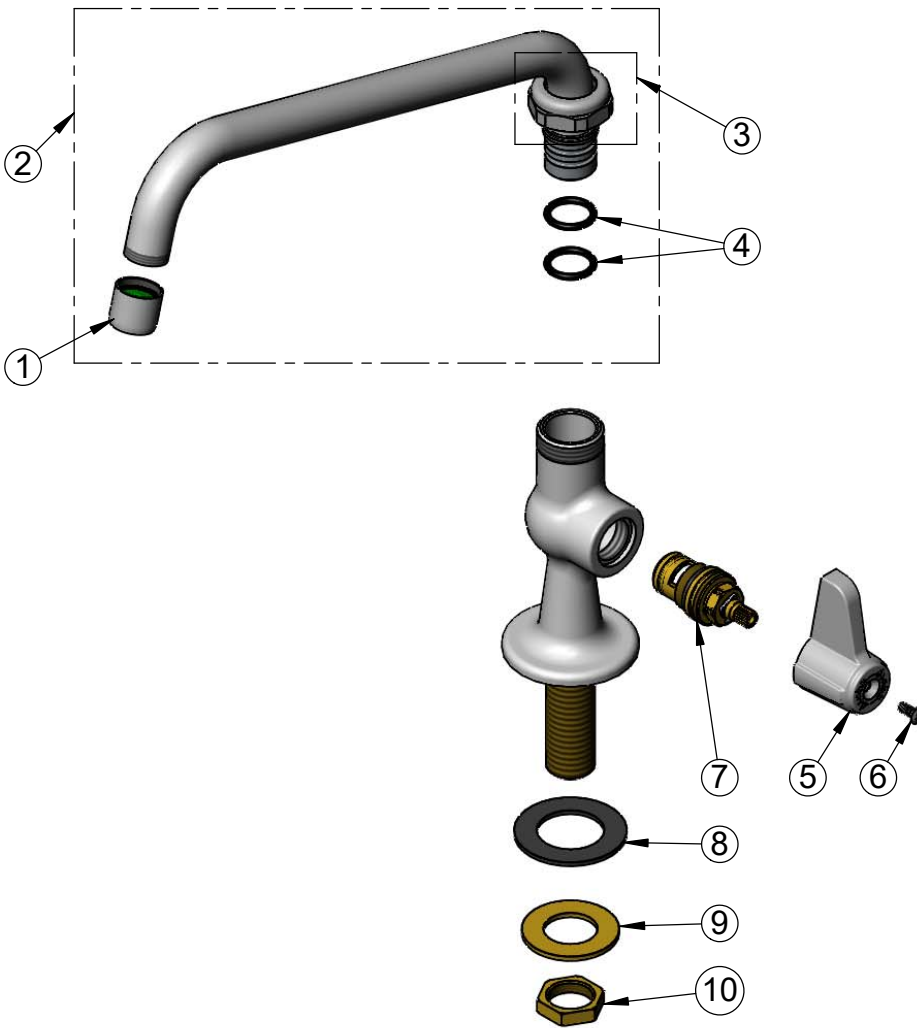
Single Supply Deck Mount Faucet w/ equip Quarter-Turn
Ceramic Cartridge, equip Lever Handle, 10 1/8" equip Swing
Nozzle with 1.5 GPM Aerator & 1/2" NPSM Male Inlet

equip
Foodservice
Accessories



2 Saddleback Cove, P.O. Box 1088
Travelers Rest, South Carolina 29690
Phone: 800.891.4808 Fax: 800.868.0084
equip.tsbrass.com

ITEM NO.	SALES NO.	DESCRIPTION
1	SP-F15	1.5 GPM Aerator, 3/4-27 UN Female
2	5SP-10-F15	10 1/8" Swing Nozzle
3	013839-25	equip Swivel Nut
4	013848-45	O-Ring
5	5-HDL-L	equip Lever Handle w/ Color Coded Screws
6	013849-45	Screw, 4mm Metric (10)
7	013787-45	equip Quarter-Turn Ceramic Cartridge, RTC (Red)
8	014612-45	Deck Seal
9	000999-45	Brass Lock Washer
10	002954-45	Shank Lock Nut



Model Number

5F-1SLX10-F15

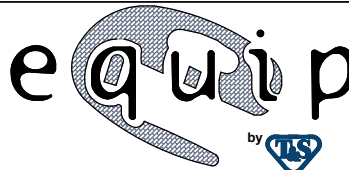
Product Specifications:

Single Supply Deck Mount Faucet w/ equip Quarter-Turn Ceramic Cartridge, equip Lever Handle, 10 1/8" equip Swing Nozzle with 1.5 GPM Aerator & 1/2" NPSM Male Inlet

Product Compliance:

ASME A112.18.1 / CSA B125.1
NSF 61 - Section 9
NSF 372 (Low Lead Content)
ANSI A117.1 (ADA)

equip
Foodservice
Accessories



2 Saddleback Cove, P.O. Box 1088
Travelers Rest, South Carolina 29690
Phone: 800.891.4808 Fax: 800.868.0084
equip.tsbrass.com