



Architect/Engineering Specifications:

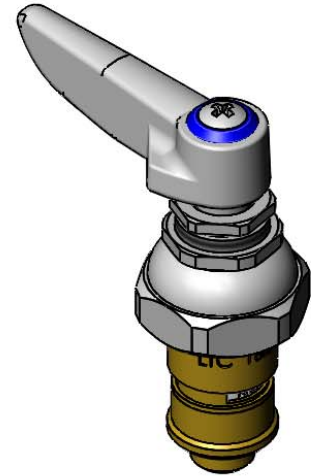
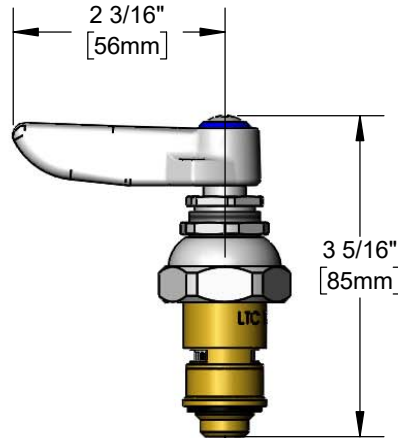
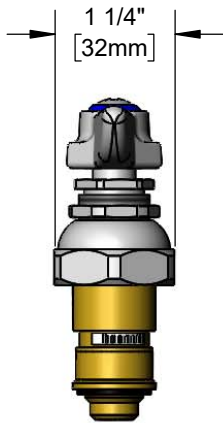
Quarter-turn Cerama cartridge, LTC with check valve, lever handle, index (blue), screw and escutcheon bonnet. Fits all standard T&S faucets. Certified to ASME A112.18.1 / CSA B125.1, NSF 61-Section 9 and NSF 372. Meets ADA ANSI/ICC A117.1 requirements.

Job Name _____

Model Specified _____ Quantity _____

Variations Specified _____

Date _____



Features & Benefits:

- Quarter-turn Cerama cartridge, LTC
- Escutcheon bonnet
- Lever handle with blue index and screw
- Fits all standard T&S faucets
- Material: Chrome plated brass and chrome plated metal handle

Product Compliance:

- ASME A112.18.1 / CSA B125.1
- NSF 61 - Section 9
- NSF 372 (Low Lead Content)
- ANSI A117.1 (ADA)

Warranty: Lifetime (Limited)

Performance Data:

- Pressure: 20 - 125 psi [1.38 - 8.62 bar]
- Temperature: 40 °F - 180 °F 4.44 °C - 82 °C
- Flow Rate: 6.19 GPM [23.43 L/min] @ 60 psi [4.14 bar]



ADA Compliant

