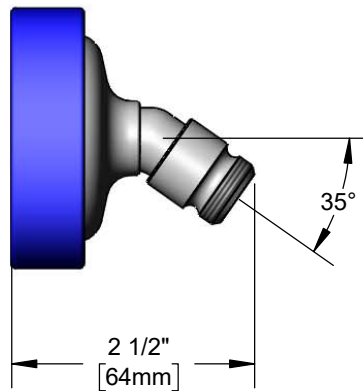
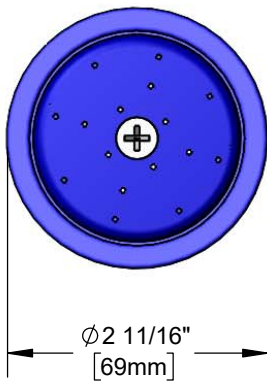




**Architect/Engineering Specifications:**

High flow spray head with blue rubber bumper and 3/4-14 UN male inlet. Compliant to NSF 61-Section 9 and NSF 372.

Job Name \_\_\_\_\_  
 Model Specified \_\_\_\_\_ Quantity \_\_\_\_\_  
 Variations Specified \_\_\_\_\_  
 Date \_\_\_\_\_



**Features & Benefits:**

- 35° angle high flow spray head
- 3/4-14 UN male inlet fitting
- Material: Polished chrome plated brass body and blue rubber bumper

**Product Compliance:**

- NSF 61 - Section 9
- NSF 372 (Low Lead Content)
- 2019 DOE PRSV Non-Compliant

**Warranty:** One Year (Limited)

**Performance Data:**

- Pressure: 20 - 125 psi [1.38 - 8.62 bar]
- Temperature: 40 °F - 140 °F [4.44 °C - 60 °C]
- Flow Rate: 5.60 GPM [21.20 L/min] @ 60 psi [4.14 bar]

Final Configuration (Hose and/or Handle) Will Reduce Flow Rate

