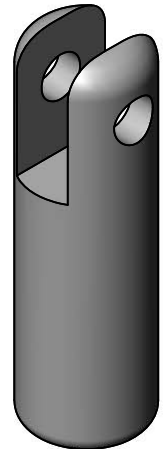
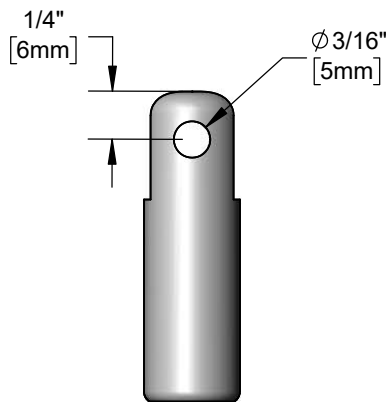
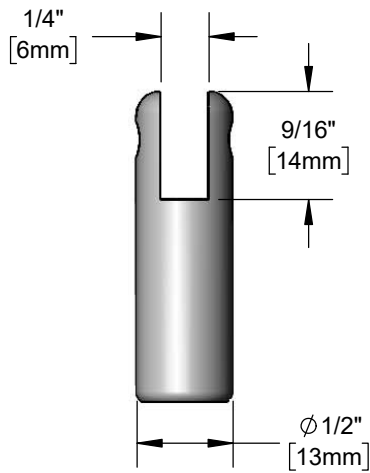




Architect/Engineering Specifications:

Rough chrome plated brass support rod clevis.

Job Name _____
 Model Specified _____ Quantity _____
 Variations Specified _____
 Date _____



Features & Benefits:

- Support rod clevis
- 3/8-16 UNC female thread
- Material: Rough chrome plated brass

Product Compliance:

- NA

Warranty: One Year (Limited)

Performance Data:

- N/A

