



T&S BRASS AND BRONZE WORKS, INC.
 2 Saddleback Cove / P.O. Box 1088
 Travelers Rest, SC 29690

Model No.
001097-45

Item No.

Travelers Rest, SC: 800-476-4103 • Simi Valley, CA: 800-423-0150 • Fax: 864-834-3518 • www.tsbrass.com

This Space for Architect/Engineer Approval

Job Name _____ Date _____

Model Specified _____ Quantity _____

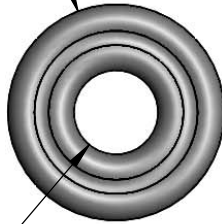
Customer/Wholesaler _____

Contractor _____

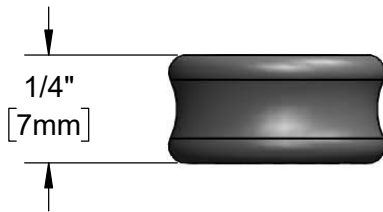
Architect/Engineer _____



ϕ 9/16"
[14mm]

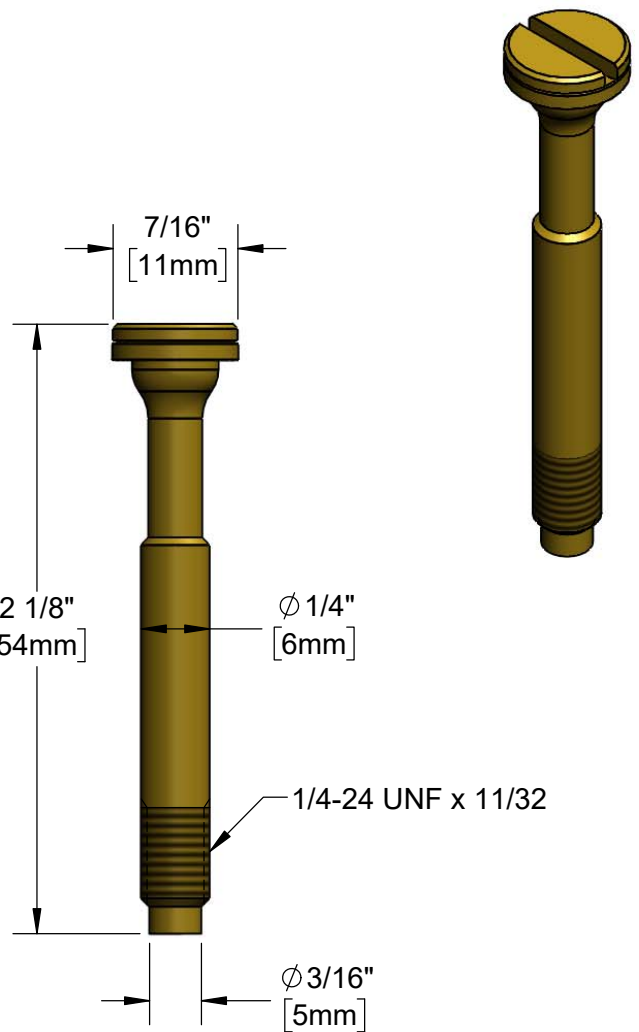


ϕ 1/4"
[6mm]



1/4"
[7mm]

Packing Seal



7/16"
[11mm]

2 1/8"
[54mm]

ϕ 1/4"
[6mm]

1/4-24 UNF x 11/32

ϕ 3/16"
[5mm]

Valve Stem

Product Specifications:
 9/16" Rubber Packing Seal & Squeeze Valve Stem

Product Compliance:
 NSF 61 - Section 9
 NSF 372 (Low Lead Content)