



Quick-Connect Spray Valves

B-1427

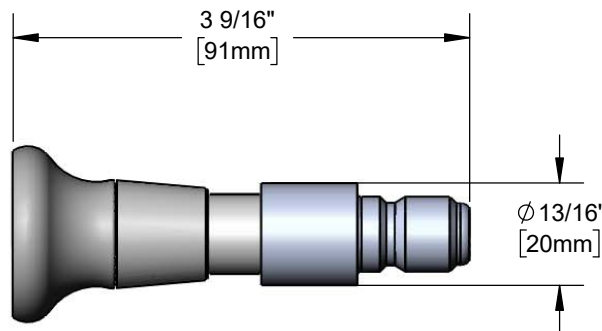
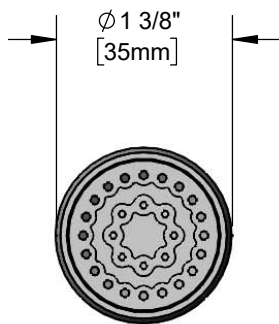
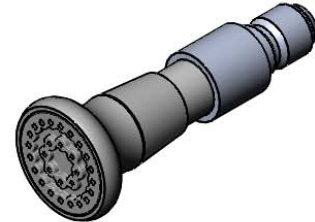
TAG:

Rosespray Quick-Connect

Architect/Engineering Specifications:

2.2 GPM rosespray outlet with chrome plated brass body and quick connect socket. Certified to ASME A112.18.1/CSA B125.1, NSF 61-Section 9 and NSF 372.

Job Name _____
 Model Specified _____ Quantity _____
 Variations Specified _____
 Date _____



Features & Benefits:

- 2.2 GPM rosespray outlet with quick-connect socket
- Material: Polished chrome plated brass body and chrome plated brass quick disconnect

Product Compliance:

- ASME A112.18.1 / CSA B125.1
- NSF 61 - Section 9
- NSF 372 (Low Lead Content)

Warranty: One Year (Limited)

Performance Data:

- Pressure: 20 - 125 psi
- Temperature: 40 °F - 140 °F
- Flow rate: 2.2 GPM



T&S BRASS AND BRONZE WORKS, INC.



• 2 Saddleback Cove • Travelers Rest, SC 29690
 Ph 800-476-4103 • Fax 864-834-3518
 • Simi Valley, CA • Ph 800-423-0150 • www.tsbrass.com

Date: 08/01/19