



Faucets and Fittings
B-WH6

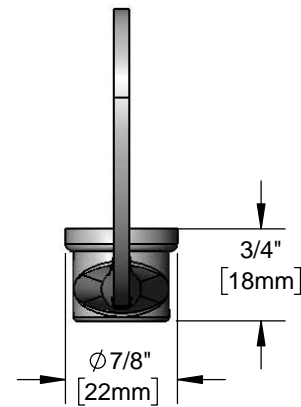
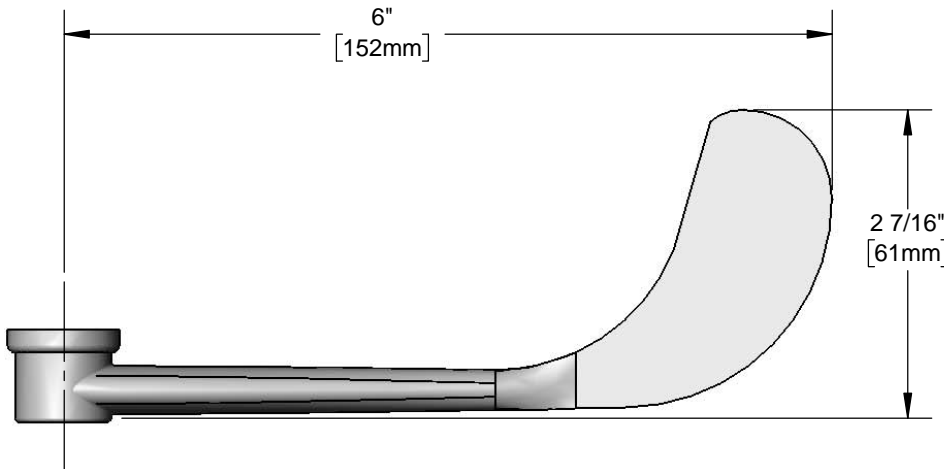
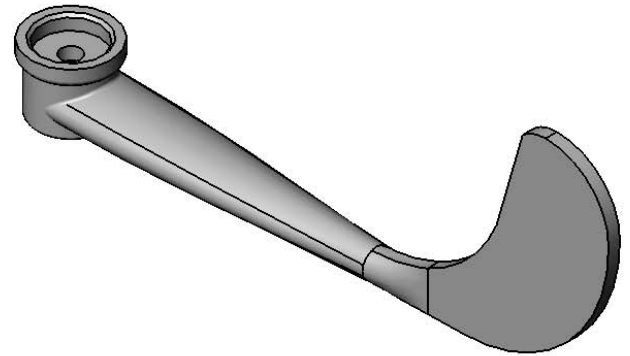
TAG:

6" Wrist Action Handle

Architect/Engineering Specifications:

6" wrist action handle, fits all standard T&S Eterna and Cerama cartridges.

Job Name _____
 Model Specified _____ Quantity _____
 Variations Specified _____
 Date _____



Features & Benefits:

- 6" wrist action handle
- Fits all T&S Eterna and Cerama cartridges
- Material: Chrome plated metal handle

Product Compliance:

- N/A

Warranty: One Year (Limited)

Performance Data:

- N/A



T&S BRASS AND BRONZE WORKS, INC.



• 2 Saddleback Cove • Travelers Rest, SC 29690
 Ph 800-476-4103 • Fax 864-834-3518
 • Simi Valley, CA • Ph 800-423-0150 • www.tsbrass.com

Date: 06/23/17