



**T&S BRASS AND BRONZE WORKS, INC.**  
 2 Saddleback Cove / P.O. Box 1088  
 Travelers Rest, SC 29690

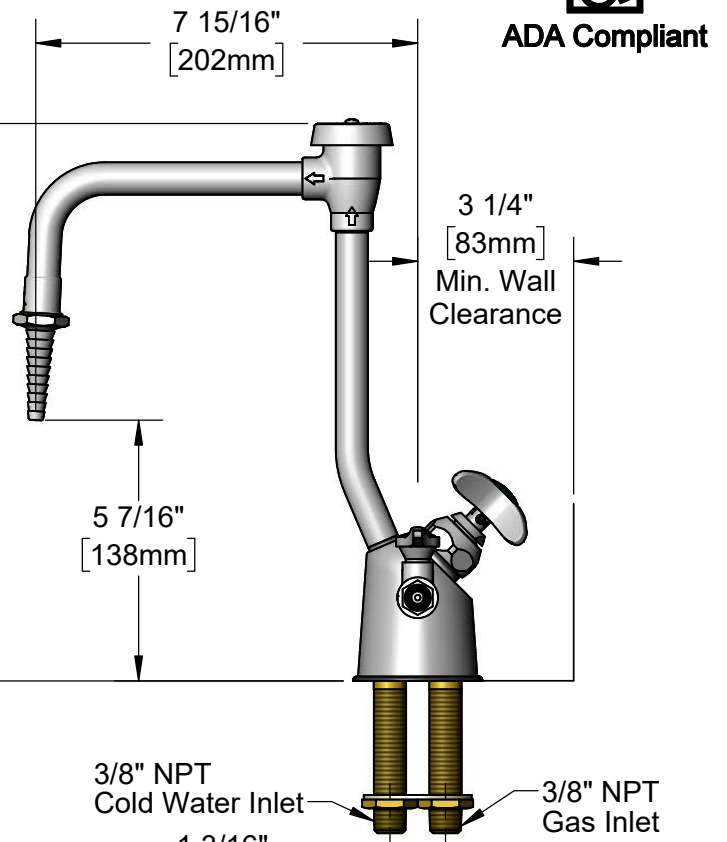
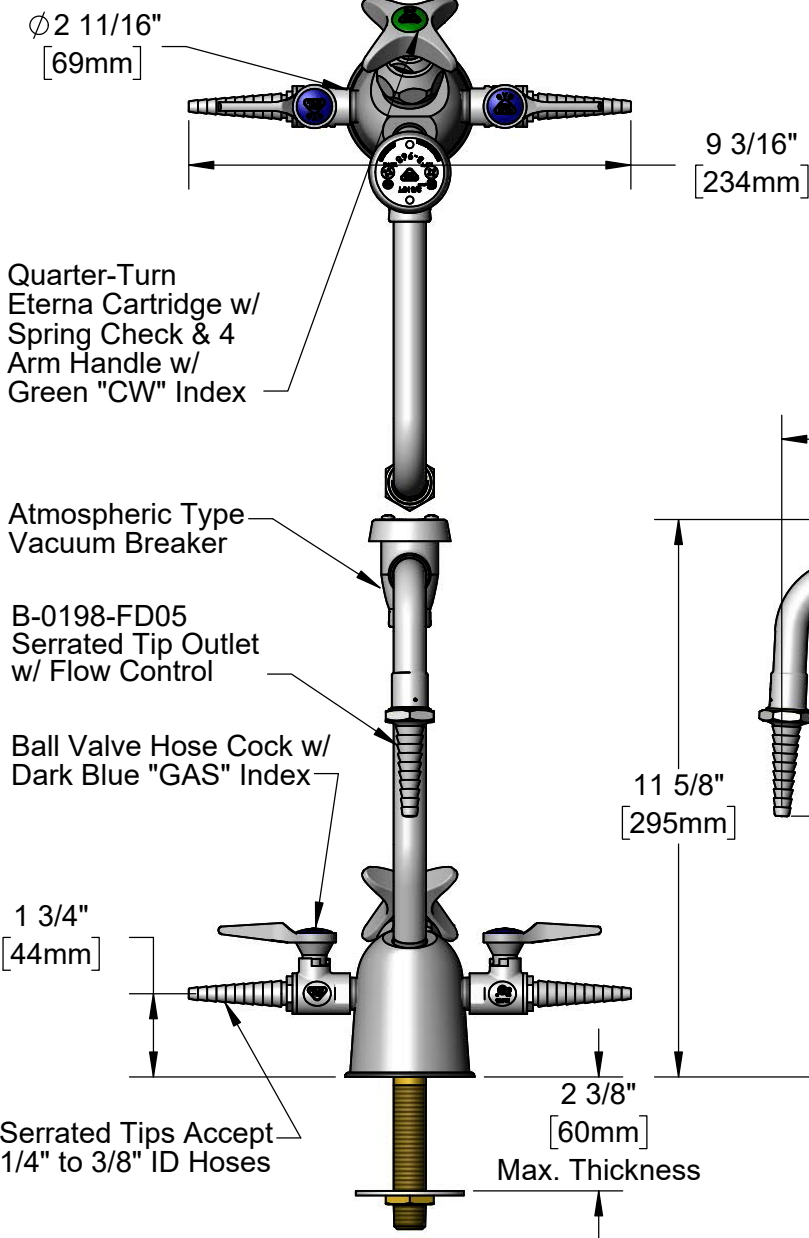
Model No.  
**BL-6005-03**

Item No.

Travelers Rest, SC: 800-476-4103 • Simi Valley, CA: 800-423-0150 • Fax: 864-834-3518 • www.tsbrass.com

This Space for Architect/Engineer Approval

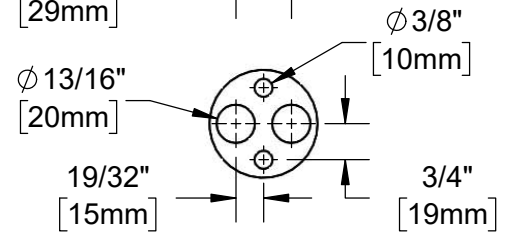
Job Name \_\_\_\_\_ Date \_\_\_\_\_  
 Model Specified \_\_\_\_\_ Quantity \_\_\_\_\_  
 Customer/Wholesaler \_\_\_\_\_  
 Contractor \_\_\_\_\_  
 Architect/Engineer \_\_\_\_\_



**ADA Compliant**

**NOTES:**

- Natural Gas Pressure: 0.5 PSIG Max. (For Natural Gas above 0.5 PSIG or Oxygen and Specialty Gases, use BL-4010-01 Gas Cock.)
- Certified to ANSI Z21.15a / CSA 9.1a



**Mounting Washer / Rough-In Detail**

**Product Specifications:**

Combination Gas & Water Fixture w/ (2) Ball Valve Gas Cocks, Quarter-Turn Eterna Cartridge with Spring Check and 4-Arm Handle, Vacuum Breaker, Rigid Nozzle w/ Serrated Tip w/ 0.5 GPM Flow Control & 3/8" NPT Male Inlets

**Product Compliance:**

ASME A112.18.1 / CSA B125.1  
 NSF 61 - Section 9  
 NSF 372 (Low Lead Content)  
 ASSE 1001 (VB)  
 ANSI Z21.15a / CSA 9.1a (Gas Valves)  
 ANSI A117.1 (ADA)



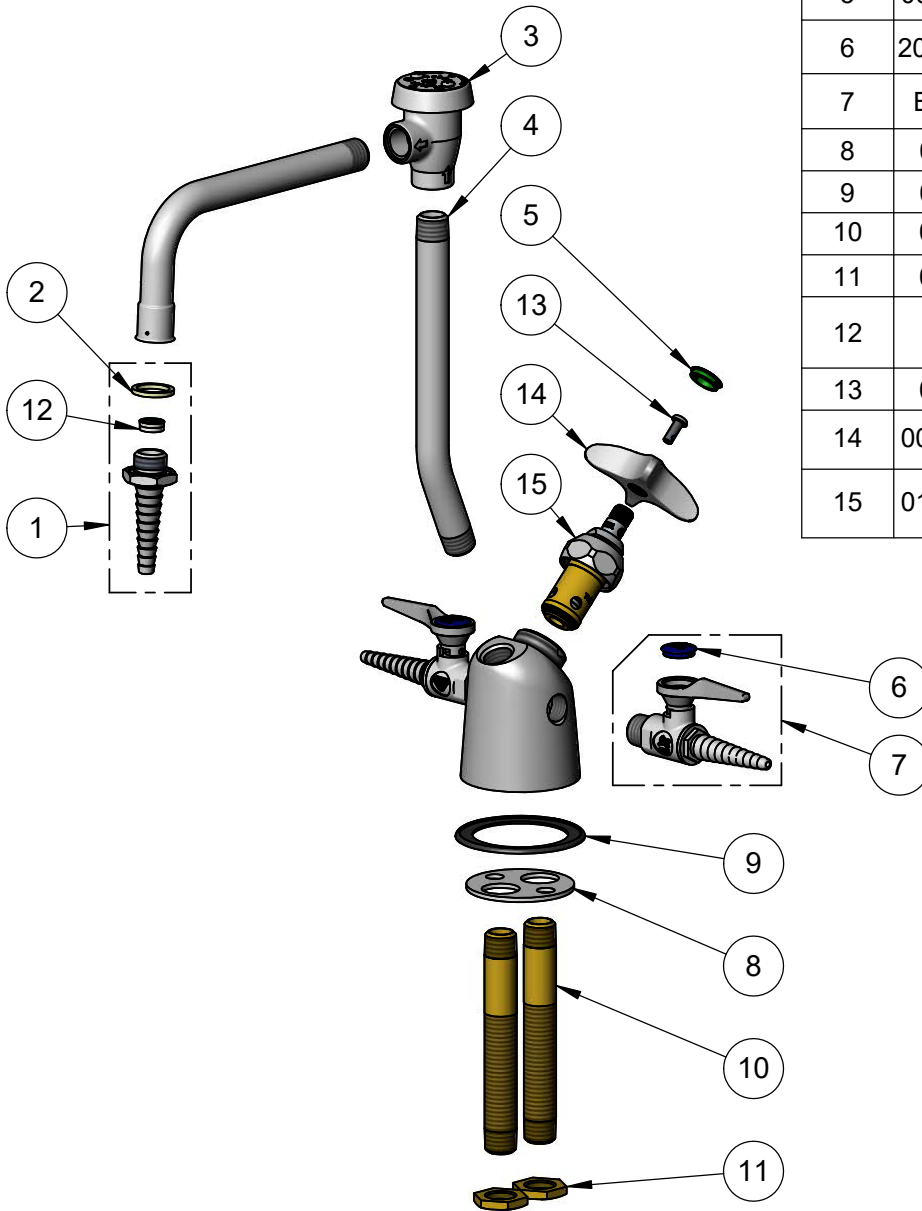
**T&S BRASS AND BRONZE WORKS, INC.**  
 2 Saddleback Cove / P.O. Box 1088  
 Travelers Rest, SC 29690

Model No.  
**BL-6005-03**

Item No.

Travelers Rest, SC: 800-476-4103 • Simi Valley, CA: 800-423-0150 • Fax: 864-834-3518 • www.tsbrass.com

ITEM NO.	SALES NO.	DESCRIPTION
1	B-0198-FD05	Serrated Tip Outlet
2	001051-45	Washer
3	B-0968	Vacuum Breaker Assembly, 3/8"
4	001522-40	7" Riser, BL-6005-01
5	001191-45NS	Green "CW" Lab Button Index
6	209L-GAS-NS	Dark Blue "GAS" Lab Button Index
7	BL-4000-01	Ball Valve Hose Cock w/ GAS, AIR & VAC Indexes
8	001004-45	Washer, Turret BL-6000, Brass
9	001160-45	Gasket, BL-6000
10	000381-20	Nipple, Supply, 3/8" Pipe, Brass
11	000969-45	Nut, Lock, 3/8" NPSL, Brass
12	FD05	Flow Disc, 0.5 GPM [ 1.9 L/min.] (Lime)
13	000925-45	Lab Handle Screw
14	002521-45NS	4-Arm Handle (New Style)
15	012443-40NS	Quarter-Turn Eterna Cartridge, w/ Spring Check, RTC



**Product Specifications:**  
 Combination Gas & Water Fixture w/ (2) Ball Valve Gas Cocks, Quarter-Turn Eterna Cartridge with Spring Check and 4-Arm Handle, Vacuum Breaker, Rigid Nozzle w/ Serrated Tip w/ 0.5 GPM Flow Control & 3/8" NPT Male Inlets

**Product Compliance:**  
 ASME A112.18.1 / CSA B125.1  
 NSF 61 - Section 9  
 NSF 372 (Low Lead Content)  
 ASSE 1001 (VB)  
 ANSI Z21.15a / CSA 9.1a (Gas Valves)  
 ANSI A117.1 (ADA)