



**T&S BRASS AND BRONZE WORKS, INC.**  
 2 Saddleback Cove / P.O. Box 1088  
 Travelers Rest, SC 29690

Model No.  
**BL-5709-08WH4**

Item No.

Travelers Rest, SC: 800-476-4103 • Simi Valley, CA: 800-423-0150 • Fax: 864-834-3518 • www.tsbrass.com

This Space for Architect/Engineer Approval

Job Name \_\_\_\_\_ Date \_\_\_\_\_

Model Specified \_\_\_\_\_ Quantity \_\_\_\_\_

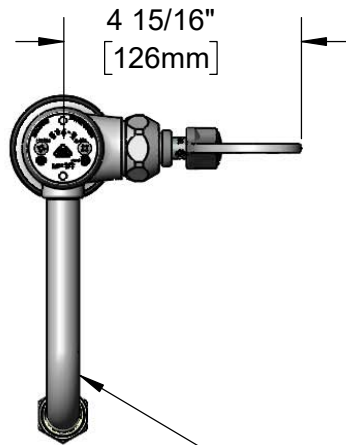
Customer/Wholesaler \_\_\_\_\_

Contractor \_\_\_\_\_

Architect/Engineer \_\_\_\_\_

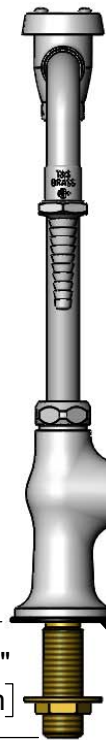


**ADA Compliant**



BL-5560-03  
 Swivel Nozzle w/ Serrated Tip  
 w/ 0.5 GPM Flow Control &  
 Washer. Rigid Conversion  
 Requires 014200-45 Lock  
 Washer (Included)

Quarter-Turn  
 Eterna Cartridge  
 w/ Spring Check &  
 4" Wrist Action Handle w/  
 Color Coded Index (CW)



6 11/16"  
 [169mm]

2 7/16"  
 [61mm]

Ø 2" [51mm]  
 Flange w/  
 Black Plastic Deck  
 Gasket & 1/2" NPSM  
 Male Inlet

12 13/16"  
 [326mm]

6 1/2"  
 [166mm]

5 11/16"  
 [144mm]

B-0968  
 3/8" NPT  
 Vacuum Breaker

1 1/2"  
 [40mm]  
 Maximum  
 Thickness

150A  
 Optional Tailpiece and Nut  
 For 1/4" NPT Connection  
 (Included)

Rough-in Requirement:  
 Ø 1" [25mm] Hole

Product Specifications:

Single Temperature Lab Faucet w/ Swivel/Rigid Vacuum Breaker Nozzle,  
 Serrated Tip Outlet w/ w/ 0.5 GPM Flow Control, Quarter-Turn Eterna  
 Cartridge w/ Spring Check, 4" Wrist Action Handle & 1/2" NPSM Male Inlet

Product Compliance:

ASME A112.18.1 / CSA B125.1  
 NSF 61 - Section 9  
 NSF 372 (Low Lead Content)  
 ANSI A117.1 (ADA)  
 ASSE 1001 (VB)



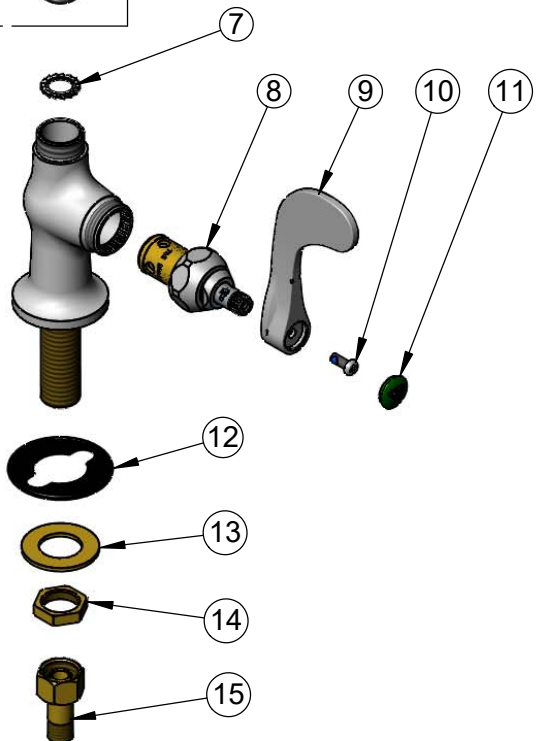
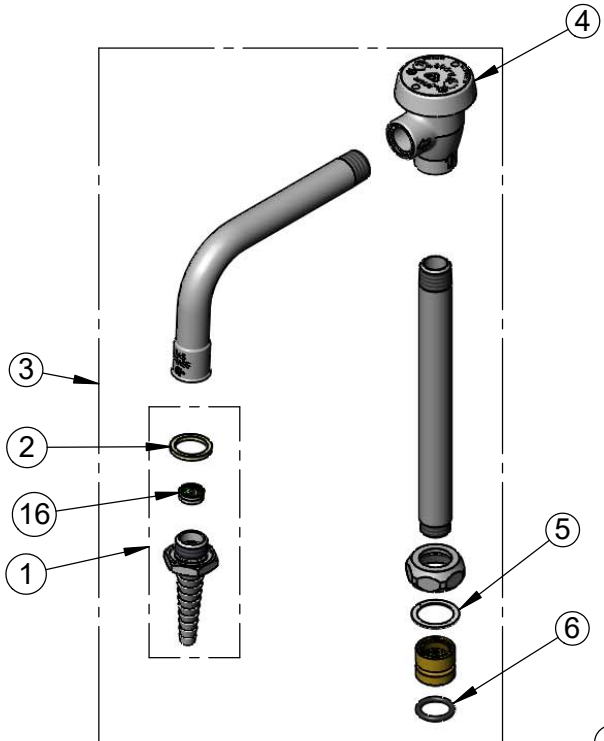
**T&S BRASS AND BRONZE WORKS, INC.**  
 2 Saddleback Cove / P.O. Box 1088  
 Travelers Rest, SC 29690

Model No.  
**BL-5709-08WH4**

Item No.

Travelers Rest, SC: 800-476-4103 • Simi Valley, CA: 800-423-0150 • Fax: 864-834-3518 • www.tsbrass.com

ITEM NO.	SALES NO.	DESCRIPTION
1	B-0198-FS05	Serrated Tip w/ 0.5 GPM Flow Disc & Washer
2	001051-45	Washer
3	BL-5560-03	Swivel Vacuum Breaker Nozzle w/ Serrated Tip & 0.5 GPM Flow Disc
4	B-0968	Vacuum Breaker, 3/8"
5	009538-45	Swivel Washer
6	001074-45	O-ring
7	014200-45	Star Washer, Anti-Rotation
8	012443-40NS	Quarter-Turn Eterna Cartridge w/ Spring Check, RTC
9	B-WH4-NS	Wrist Action Handle - New Style
10	000925-45	Lab Handle Screw
11	001191-45NS	Green "CW" Lab Button Index
12	144L	Black Plastic Gasket
13	000999-45	Brass Lock Washer
14	002954-45	Shank Lock Nut
15	150A	1/4" NPT Tailpiece
16	FD05	Flow Disc, 0.5 GPM [ 1.9 L/min.] (Lime)



Product Specifications:  
 Single Temperature Lab Faucet w/ Swivel/Rigid Vacuum Breaker Nozzle,  
 Serrated Tip Outlet w/ w/ 0.5 GPM Flow Control, Quarter-Turn Eterna  
 Cartridge w/ Spring Check, 4" Wrist Action Handle & 1/2" NPSM Male Inlet

Product Compliance:  
 ASME A112.18.1 / CSA B125.1  
 NSF 61 - Section 9  
 NSF 372 (Low Lead Content)  
 ANSI A117.1 (ADA)  
 ASSE 1001 (VB)