



# Big-Flo Faucets

## B-0292

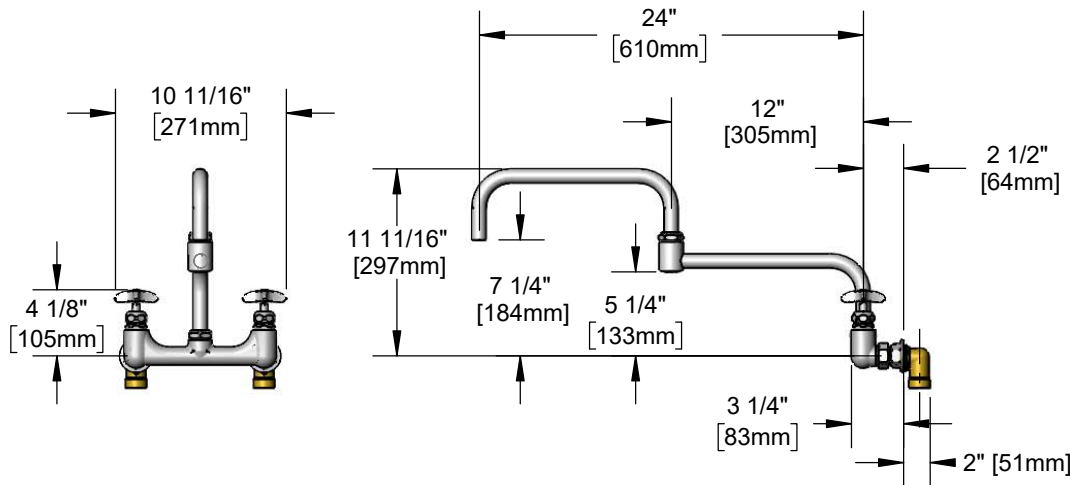
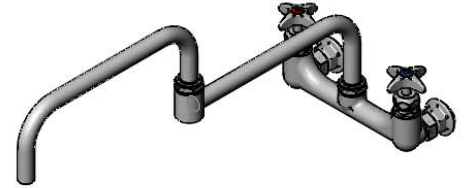
TAG:

### Big-Flo Mixing Faucet

#### Architect/Engineering Specifications:

8" wall mount large flow mixing faucet with polished chrome plated brass body, 24" double joint swing nozzle with plain end outlet, compression spindles, 4-arm handles, 3/4" NPT female inlets and 3/4" NPT female short inlet elbows. Certified to ASME A112.18.1/CSA B125.1, NSF 61-Section 9 and NSF 372. Meets ADA ANSI/ICC A117.1 requirements.

Job Name \_\_\_\_\_  
 Model Specified \_\_\_\_\_ Quantity \_\_\_\_\_  
 Variations Specified \_\_\_\_\_  
 Date \_\_\_\_\_



#### Features & Benefits:

- 8" wall mount Big-Flo mixing faucet w/ polished chrome plated brass body
- 24" Big-Flo double joint swing nozzle w/ plain end outlet
- Big-Flo compression spindles
- 4-arm handles w/ color coded indexes
- 3/4" NPT female eccentric inlets w/ Ø 2" flanges
- Adjustable centers from 7 3/4" to 8 1/4"
- 3/4" NPT female short inlet elbows
- Material: Polished chrome plated brass body, chrome plated tubular spout and chrome plated metal handles

#### Product Compliance:

- ASME A112.18.1 / CSA B125.1
- NSF 61 - Section 9
- NSF 372 (Low Lead Content)
- ANSI A117.1 (ADA)



**Warranty:** One Year (Limited)

#### Performance Data:

- Pressure: 20 - 125 psi [1.38 - 8.62 bar]
- Temperature: 40 °F - 140 °F [4.44 °C - 60 °C]
- Flow Rate: 43.13 GPM [163.26 L/min] @ 60 psi [4.14 bar]



ADA Compliant



T&S BRASS AND BRONZE WORKS, INC.



• 2 Saddleback Cove • Travelers Rest, SC 29690  
 Ph 800-476-4103 • Fax 864-834-3518  
 • Simi Valley, CA • Ph 800-423-0150 • www.tsbrass.com

Date: 08/31/20