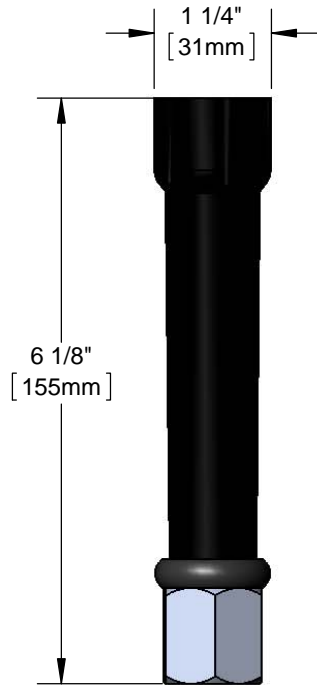




Architect/Engineering Specifications:

Hose reel black grip handle with washer, 1/2" NPSM female inlet and 3/4-14 UN female outlet.

Job Name _____
 Model Specified _____ Quantity _____
 Variations Specified _____
 Date _____



Features & Benefits:

- Hose reel black grip handle
- Washer included
- 1/2" NPSM female inlet
- 3/4-14 UN female outlet
- Material: Thermoplastic & brass

Product Compliance:

- N/A

Warranty: One Year (Limited)

Performance Data:

- N/A