

*This Space for Architect/Engineer Approval*

Job Name \_\_\_\_\_ Date \_\_\_\_\_

Model Specified \_\_\_\_\_ Quantity \_\_\_\_\_

Customer/Wholesaler \_\_\_\_\_

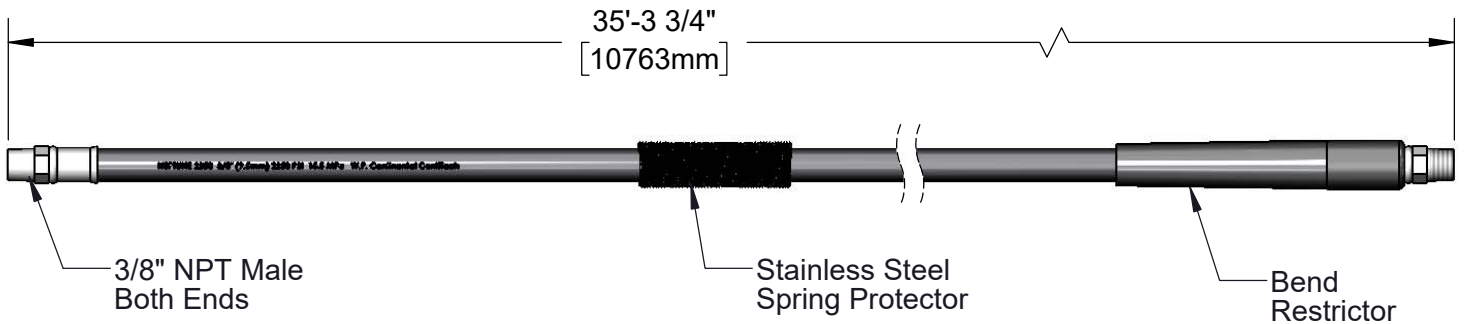
Contractor \_\_\_\_\_

Architect/Engineer \_\_\_\_\_



NOTES:

- 1. HOSE CONSTRUCTION:
  - A. LENGTH = 35 FT.
  - B. MAX PRESSURE = 225 PSI
  - C. MAX TEMP = 180 °F.
  - D. 3/8" I.D. ONE WIRE TUBING.
  - E. SAE 100R1AT RATING.



Model Number  
**5HR-2HSE-35**

Product Compliance:  
NSF 61 Exmpt (Non-Potable)

Product Specifications:  
**35 Ft. Black Hose Assembly, Medium Pressure(225 psi)  
3/8" NPT Male Both Ends, Bend Restrictor and Spring Protector**

equip  
Foodservice  
Accessories

2 Saddleback Cove, P.O. Box 1088  
Travelers Rest, South Carolina 29690  
Phone: 800.891.4808 Fax: 800.868.0084  
equip.tsbrass.com