



Architect/Engineering Specifications:

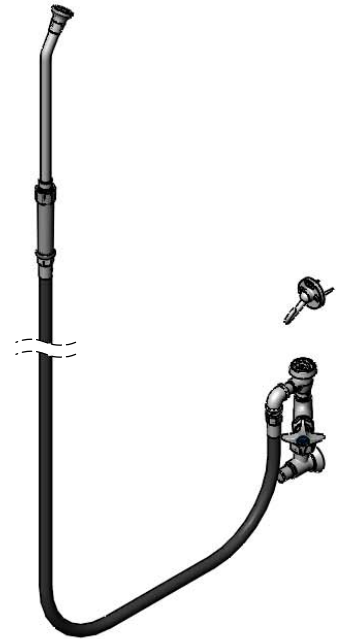
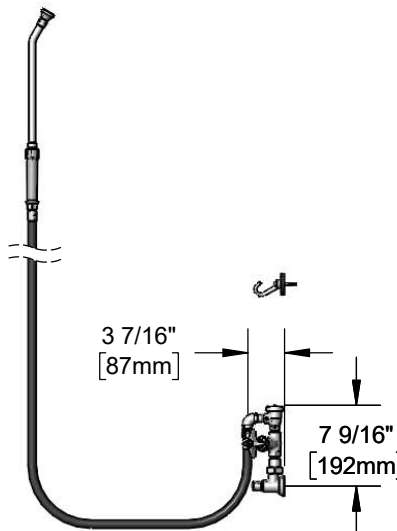
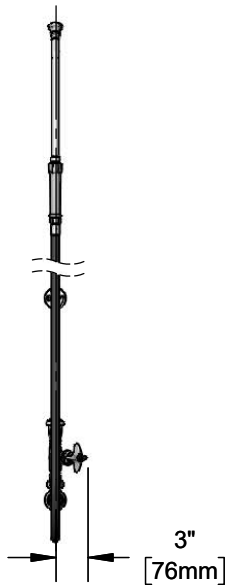
Wall mount bed pan washer, angled loose key stop, control valve, compression cartridge with spring check, 4-arm handle with color coded index, 3/8" atmospheric vacuum breaker, 68" PVC hose, extended spray nozzle with 2.2 GPM rosespray, wall hook and 1/2" NPT female inlet. Certified to ASME A112.18.1/CSA B125.1 and ASSE 1001.

Job Name _____

Model Specified _____ Quantity _____

Variations Specified _____

Date _____



Features & Benefits:

- Wall mount bed pan washer with polished chrome plated brass body
- 3/8" atmospheric vacuum breaker
- 68" PVC hose extended spray nozzle w/ 2.2 GPM rosespray
- Volume control valve with 4-arm handle and blue color coded index
- Quarter-turn Eterna compression cartridge w/ spring check
- 1/2" NPT female angled loose key stop with tee handle
- Wall hook
- Material: Polished chrome plated brass body and vacuum breaker

Product Compliance:

- ASME A112.18.1 / CSA B125.1
- ASSE 1001 (VB)



Warranty: One Year (Limited)

Performance Data:

- Pressure: 20 - 125 psi [1.38 - 8.62 bar]
- Temperature: 40 °F - 140 °F [4.44 °C - 60 °C]
- Flow Rate: 2.2 GPM [8.33 L/min] @ 60 psi [4.14 bar]

