



# Workboard / Bar Sink Faucets

## B-1193

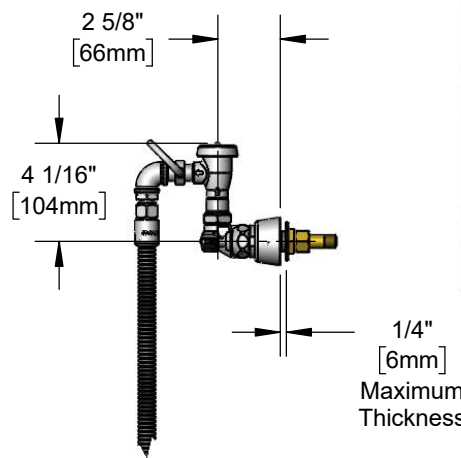
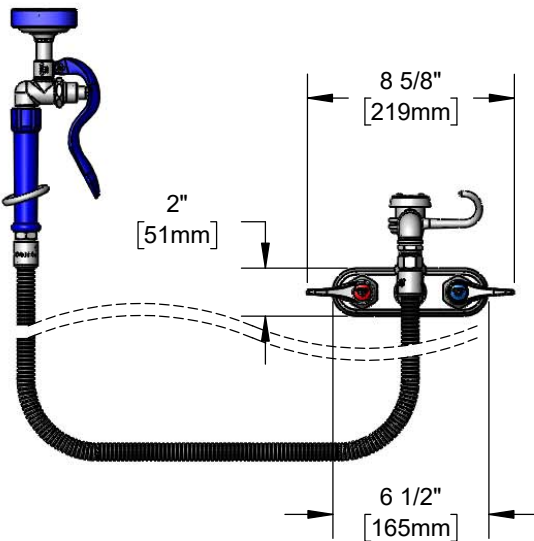
TAG:

### Workboard Mixing Faucet

#### Architect/Engineering Specifications:

4" wall mount mixing faucet with chrome plated brass body, atmospheric vacuum breaker, 72" flexible stainless steel hose with heat resistant handle, high flow spray valve (blue), compression cartridges with spring checks, lever handles, 1/2" NPT male inlets and chrome plated escutcheon. Certified to ASME A112.18.1/CSA B125.1, NSF 61-Section 9, NSF 372 and ASSE 1001.

Job Name \_\_\_\_\_  
 Model Specified \_\_\_\_\_ Quantity \_\_\_\_\_  
 Variations Specified \_\_\_\_\_  
 Date \_\_\_\_\_



#### Features & Benefits:

- 4" wall mount mixing faucet w/ chrome plated brass body
- 3/8" NPT atmospheric vacuum breaker
- 72" flexible stainless steel hose w/ heat resistant blue handle and hold down ring
- High flow spray valve (blue)
- Quarter-turn Eterna compression cartridges w/ spring checks to prevent cross flow of water
- Lever handles w/ color coded indexes
- 1/2" NPT male inlets
- Tailpieces and nuts for 1/4" NPT male connections
- Chrome plated escutcheon
- Material: Chrome plated brass faucet & spray valve bodies and chrome plated metal handles & escutcheon

#### Product Compliance:

- ASME A112.18.1 / CSA B125.1
- NSF 61 - Section 9
- NSF 372 (Low Lead Content)
- 2019 DOE PRSV Non-Compliant
- ASSE 1001 (VB)

#### Warranty: One Year (Limited)

#### Performance Data:

- Pressure: 20 - 125 psi
- Temperature: 40 °F - 140 °F
- Flow Rate: 3.72 GPM @ 60 psi

#### Optional Handles

- 4" Wrist Action
- Lever (Standard)

#### Optional Cartridges

- Quarter-Turn Cerama w/ Check Valve
- Quarter-Turn Eterna w/ Spring Check (Standard)



T&S BRASS AND BRONZE WORKS, INC.



• 2 Saddleback Cove • Travelers Rest, SC 29690  
 Ph 800-476-4103 • Fax 864-834-3518  
 • Simi Valley, CA • Ph 800-423-0150 • www.tsbrass.com

Date: 08/15/19