



**T&S BRASS AND BRONZE WORKS, INC.**  
 2 Saddleback Cove / P.O. Box 1088  
 Travelers Rest, SC 29690

Model No.  
**B-7142-C05XS1E**

Item No.

Travelers Rest, SC: 800-476-4103 • Simi Valley, CA: 800-423-0150 • Fax: 864-834-3518 • www.tsbrass.com

This Space for Architect/Engineer Approval

Job Name \_\_\_\_\_ Date \_\_\_\_\_

Model Specified \_\_\_\_\_ Quantity \_\_\_\_\_

Customer/Wholesaler \_\_\_\_\_

Contractor \_\_\_\_\_

Architect/Engineer \_\_\_\_\_

B-0963  
 Continuous Pressure  
 Vacuum Breaker w/  
 Integral Check Valve

3/8" NPT x 36"  
 Flexible Water  
 Hose Connector

3/8" NPT x 40"  
 Riser

Stainless Steel  
 Quick Disconnect

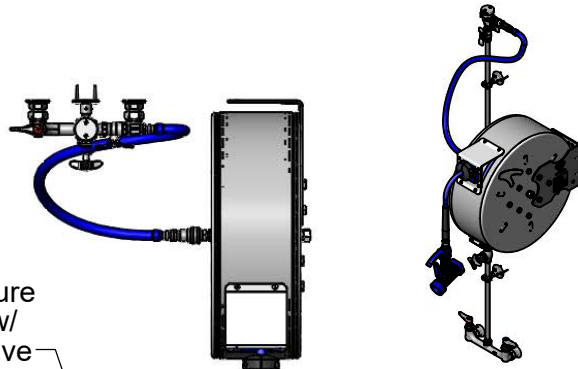
Control Valve

EasyInstall  
 3/8" NPT x 16"  
 Riser

(2) B-0109-07  
 2 3/8" Wall  
 Brackets

3 11/16"  
 [94mm]

Ø 2" [51mm]  
 Flanges w/  
 1/2" NPT  
 Female Inlets



Enclosed Stainless Steel Hose Reel  
 w/ 50' of 3/8" Hose

019652-40  
 3/8" NPT  
 Live Swivel

Front Trigger  
 Water Gun



8" Wall Mount Mixing Faucet,  
 Quarter-Turn Eterna Cartridges  
 w/ Spring Checks & Lever  
 Handles w/ Color Coded  
 Indexes

12 5/8"  
 [321mm]

8"  
 [203mm]  
 Adjustable From  
 7 3/4" to 8 1/4"  
 [197mm to 210mm]

3 1/8"  
 [79mm]

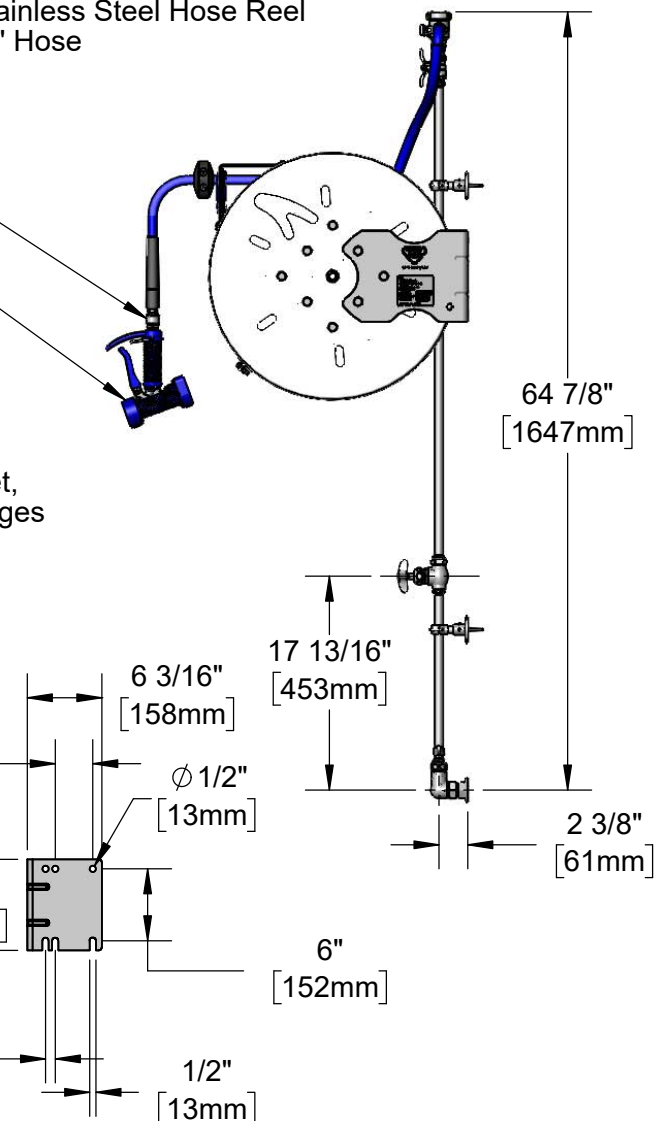
7 9/16"  
 [193mm]

13/16"  
 [21mm]

6 3/16"  
 [158mm]

Ø 1/2"  
 [13mm]

1/2"  
 [13mm]



**Product Specifications:**

Enclosed Stainless Steel Hose Reel w/ 50' of 3/8" Hose, Blue Front Trigger Water Gun w/ Swivel, Vacuum Breaker, 3/8" NPT Flexible Water Hose, 8" Wall Mount Mixing Faucet, 2 3/8" Wall Brackets & Control Valve

**Product Compliance:**

NSF 61 Exempt (Non-Potable)  
 2019 DOE PRSV Non-Compliant  
 ASSE 1056 (VB)

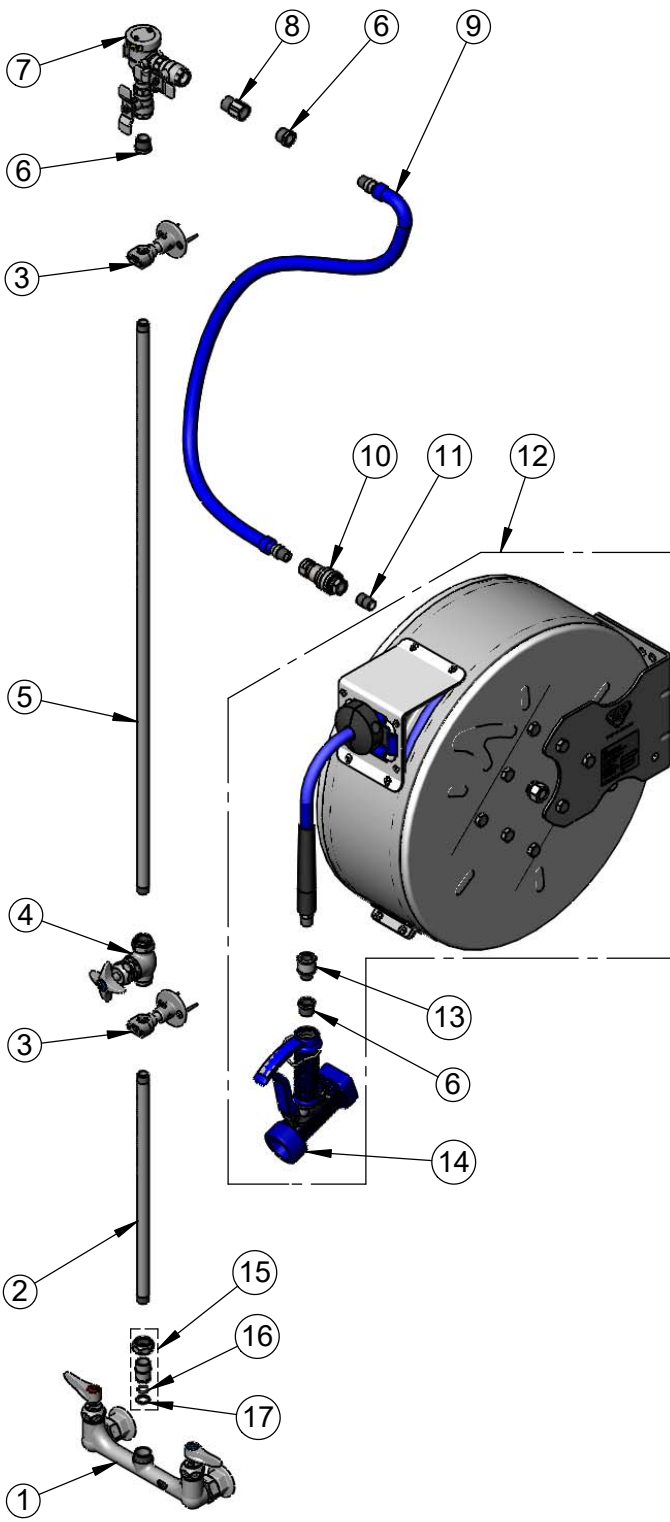


**T&S BRASS AND BRONZE WORKS, INC.**  
 2 Saddleback Cove / P.O. Box 1088  
 Travelers Rest, SC 29690

Model No.  
**B-7142-C05XS1E**

Item No.

Travelers Rest, SC: 800-476-4103 • Simi Valley, CA: 800-423-0150 • Fax: 864-834-3518 • www.tsbrass.com



ITEM NO.	SALES NO.	DESCRIPTION
1	B-0230-LN	B-0230 Faucet Body
2	000368-40	Nipple, 3/8" x 16"
3	B-0109-07	B-0109, Clamp Front
4	0RK3	B-0190 Valve Body
5	002558-40	3/8" NPT x 40" Riser
6	001359-40	Hex Bushing, 1/2" NPT Male x 3/8" NPT Female
7	B-0963	Vacuum Breaker 1/2" NPT Female
8	015073-40	Check Valve w/ 1/2" NPT Adapter
9	HW-2B-36	3/8" NPT x 36" Flexible Water Hose
10	AW-5B	3/8" NPT Quick Disconnect
11	002535-25	3/8" Close Nipple
12	B-7142-C05	Enclosed S S Hose Reel w/ 50' of 3/8" Hose w/ Front Trigger Water Gun
13	019652-40	3/8" Hex Swivel Middle
14	MV-2522-24	Body Cover, Water Gun
15	EZ-K	EasyInstall Kit
16	001065-45	O-Ring
17	014200-45	Star Washer, Anti-Rotation

**Product Specifications:**  
 Enclosed Stainless Steel Hose Reel w/ 50' of 3/8" Hose, Blue Front Trigger Water Gun w/ Swivel, Vacuum Breaker, 3/8" NPT Flexible Water Hose, 8" Wall Mount Mixing Faucet, 2 3/8" Wall Brackets & Control Valve

**Product Compliance:**  
 NSF 61 Exempt (Non-Potable)  
 2019 DOE PRSV Non-Compliant  
 ASSE 1056 (VB)