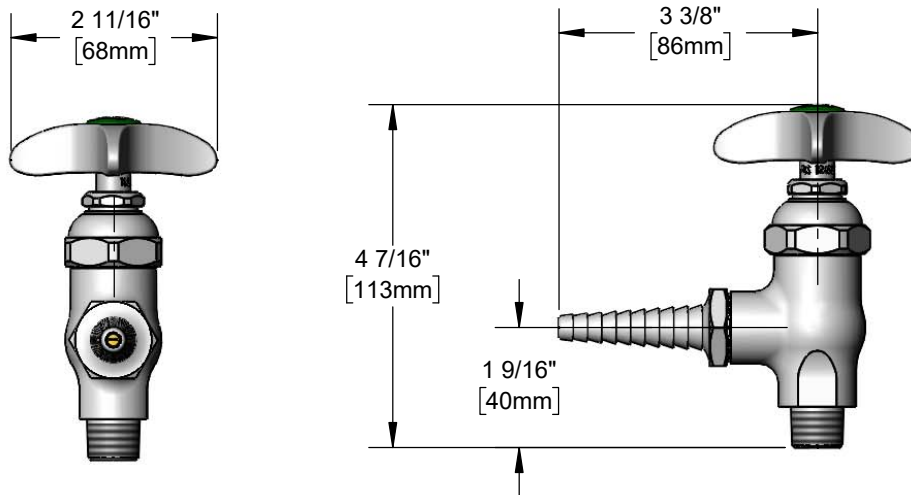




**Architect/Engineering Specifications:**

Laboratory angled stop with polished chrome plated brass body (water only), removable serrated tip outlet (accepts 1/4" to 3/8" I.D. hose), compression cartridge, 4-arm handle and 3/8" NPT male inlet. Certified to ASME A112.18.1/CSA B125.1. Meets ADA ANSI/ICC A117.1 requirements

Job Name \_\_\_\_\_  
 Model Specified \_\_\_\_\_ Quantity \_\_\_\_\_  
 Variations Specified \_\_\_\_\_  
 Date \_\_\_\_\_



**Features & Benefits:**

- Laboratory angled stop with polished chrome plated brass body (water only)
- Removable serrated tip outlet (accepts 1/4" to 3/8" I.D. hose)
- Eterna compression cartridge
- 4-arm handle w/ green (CW) color coded index
- 3/8" NPT male inlet
- Material: polished chrome plated brass body & handle

**Product Compliance:**

- ASME A112.18.1 / CSA B125.1
- NSF 61 - Section 9
- NSF 372 (Low Lead Content)
- ANSI A117.1 (ADA)



**Warranty:** One Year (Limited)



**Performance Data:**

- Pressure: 20 - 125 psi [1.38 - 8.62 bar]
- Temperature: 40 °F - 140 °F [4.44 °C - 60 °C]
- Flow Rate: 4.12 GPM [15.6 L/min] @ 60 psi [4.14 bar]

**Optional Handles**

- 4" Wrist Action
- Lever
- 4-Arm(Standard)

**Optional Cartridges**

- Quarter-Turn Cerama
- Eterna (Standard)
- Quarter-Turn Eterna

