

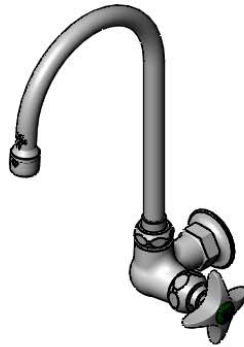
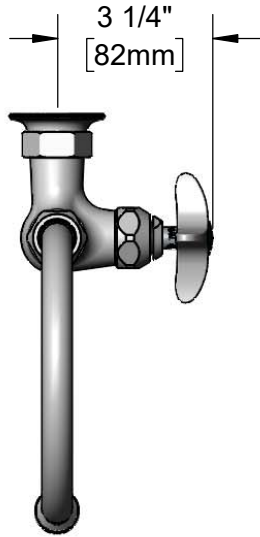


T&S BRASS AND BRONZE WORKS, INC.
 2 Saddleback Cove / P.O. Box 1088
 Travelers Rest, SC 29690

Model No.
BL-5710-01A-TL

Item No.

Travelers Rest, SC: 800-476-4103 • Simi Valley, CA: 800-423-0150 • Fax: 864-834-3518 • www.tsbrass.com



This Space for Architect/Engineer Approval

Job Name _____ Date _____

Model Specified _____ Quantity _____

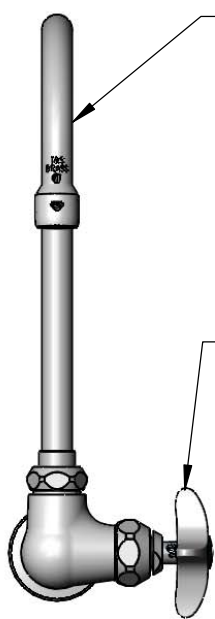
Customer/Wholesaler _____

Contractor _____

Architect/Engineer _____

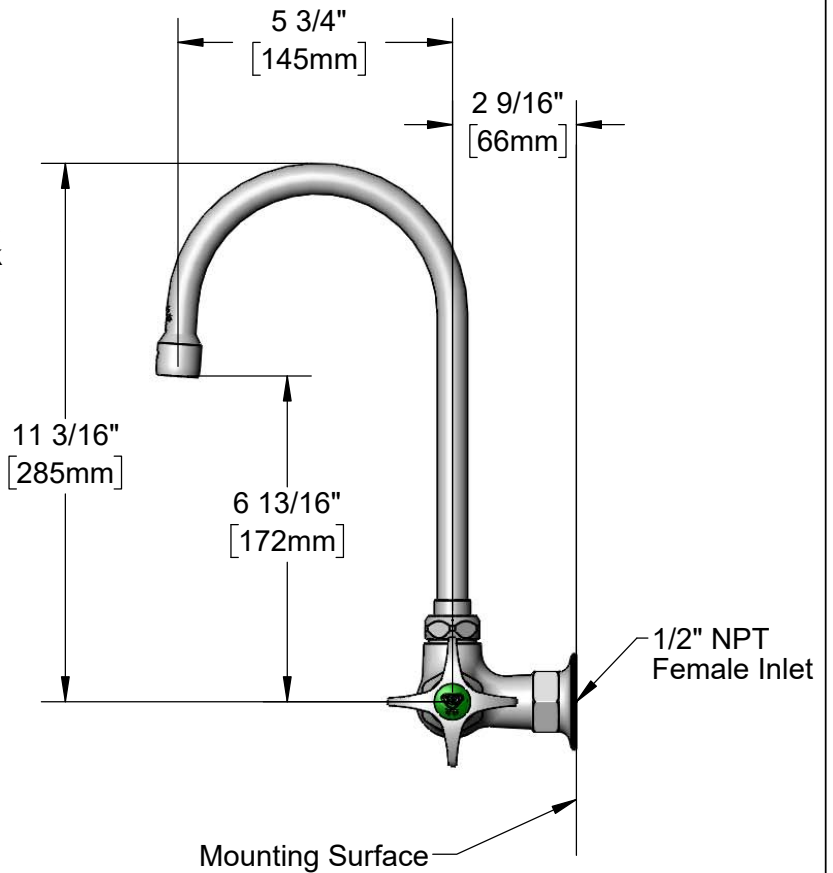


ADA Compliant



5 3/4" Swivel/Rigid
 Gooseneck w/ B-0199-01
 2.2 GPM Aerator. Converts
 to Rigid w/ 014200-45 Lock
 Washer (Included)

Quarter-Turn
 Eterna Cartridge w/
 Spring Check &
 4-Arm Lab Handle w/
 Color Coded Index



Product Specifications:

Tin-Lined Single Hole Single Temperature Wall Mount Laboratory Faucet,
 Quarter-Turn Eterna Cartridge w/ Spring Check, 4-Arm Lab Handle,
 Swivel/Rigid Gooseneck w/ 2.2 GPM Aerator & 1/2" NPT Female Inlet

Product Compliance:

ASME A112.18.1 / CSA B125.1
 NSF 61 Exempt (Non-Potable)
 NSF 372 (Low Lead Content)
 ANSI A117.1 (ADA)



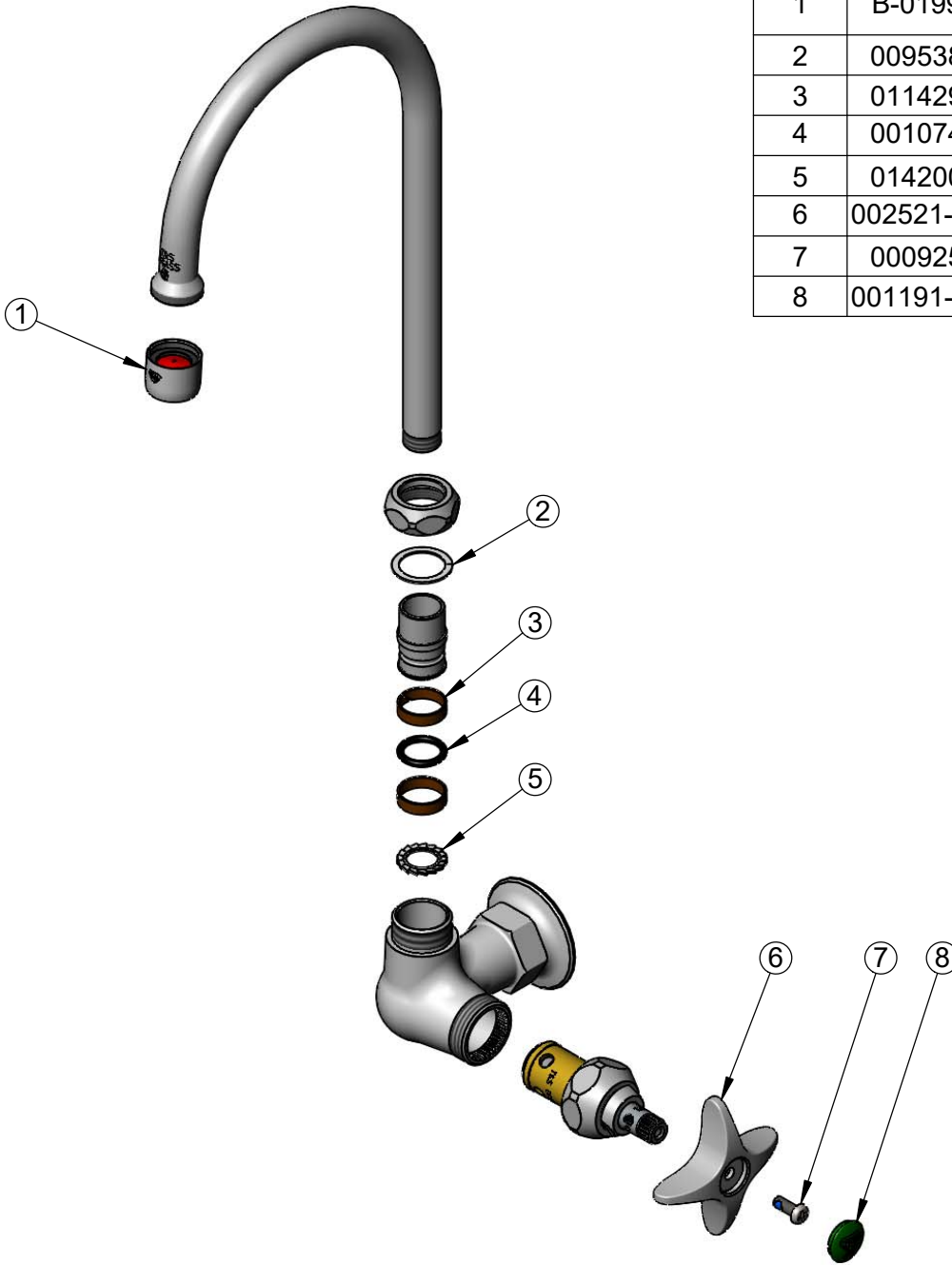
T&S BRASS AND BRONZE WORKS, INC.
 2 Saddleback Cove / P.O. Box 1088
 Travelers Rest, SC 29690

Model No.
BL-5710-01A-TL

Item No.

Travelers Rest, SC: 800-476-4103 • Simi Valley, CA: 800-423-0150 • Fax: 864-834-3518 • www.tsbrass.com

ITEM NO.	SALES NO.	DESCRIPTION
1	B-0199-01	2.2 GPM Aerator, 55/64-27 UN Female
2	009538-45	Swivel Washer
3	011429-45	Swivel Sleeves (2)
4	001074-45	O-Ring
5	014200-45	Star Washer, Anti-Rotation
6	002521-45NS	4-Arm Handle (New Style)
7	000925-45	Lab Handle Screw
8	001191-45NS	Green "CW" Lab Button Index



Product Specifications:

Tin-Lined Single Hole Single Temperature Wall Mount Laboratory Faucet, Quarter-Turn Eterna Cartridge w/ Spring Check, 4-Arm Lab Handle, Swivel/Rigid Gooseneck w/ 2.2 GPM Aerator & 1/2" NPT Female Inlet

Product Compliance:

ASME A112.18.1 / CSA B125.1
 NSF 61 Exempt (Non-Potable)
 NSF 372 (Low Lead Content)
 ANSI A117.1 (ADA)