



T&S BRASS AND BRONZE WORKS, INC.

2 Saddleback Cove / P.O. Box 1088
Travelers Rest, SC 29690

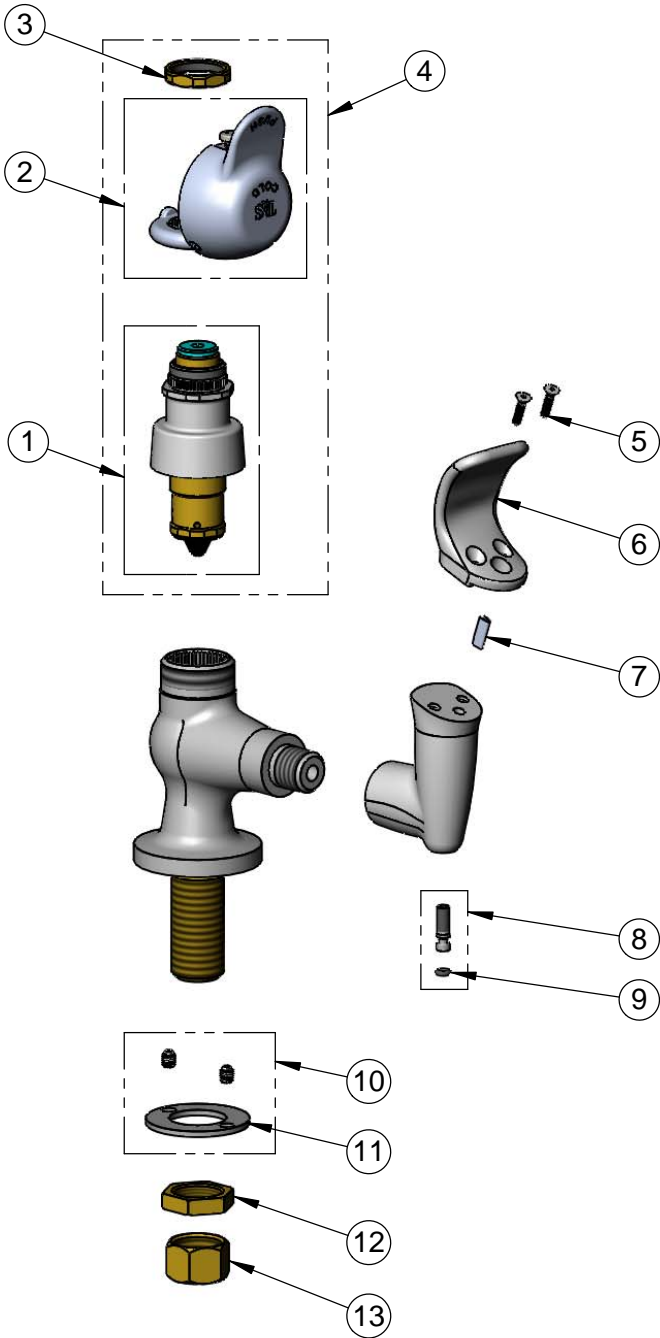
Model No.

B-2360-03-PA

Item No.

Travelers Rest, SC: 800-476-4103 • Simi Valley, CA: 800-423-0150 • Fax: 864-834-3518 • www.tsbrass.com

ITEM NO.	SALES NO.	DESCRIPTION
1	238A-PA	Pivot Action Metering Cartridge w/ Retaining Ring
2	PA-C	Cold Pivot Action Handle w/ Retaining Ring & Spanner Bit
3	PA-N	Retaining Nut
4	238AC-PA	Pivot Action Metering Cartridge w/ Cold Pivot Action Handle, Retaining Nut & Spanner Bit
5	009598-45	Mouth Guard Screw
6	011299-40	Forged Brass Mouth Guard
7	009594-45	Flow Straightener
8	012697-45	Flow Control Screw
9	015319-45	O-Ring
10	012698-45	Anti-Rotation Pins w/ Washer
11	012701-20	Washer, Shank - VR Bubbler
12	002954-45	Shank Lock Nut
13	000958-20	Coupling Nut



Product Specifications:
Bubbler w/ Anti-Rotation Pins, Forged Brass Mouth Guard,
Pivot Action Metering Cartridge w/ "Cold" Handle & 1/2" NPSM
Inlet w/ Coupling Nut

Product Compliance:
ASME A112.18.1 / CSA B125.1
NSF 61 - Section 9
NSF 372 (Low Lead Content)
ANSI A117.1 (ADA)