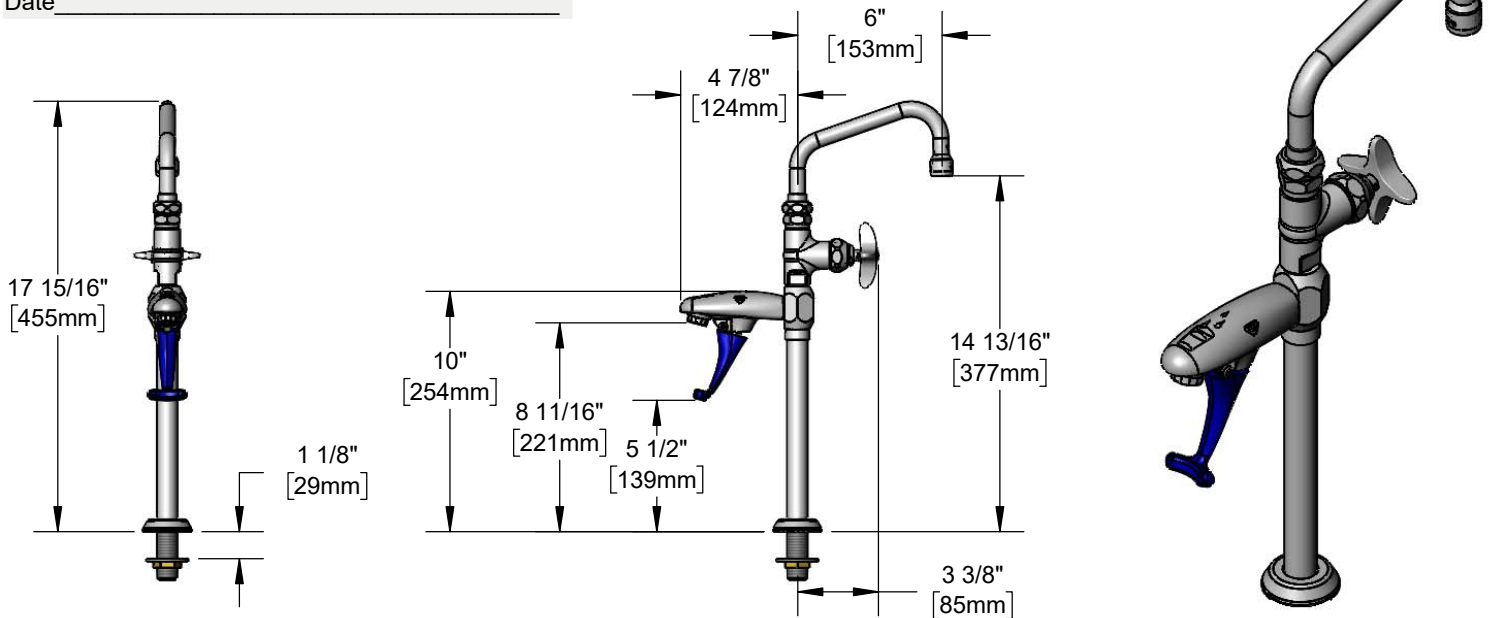




Architect/Engineering Specifications:

8 11/16" high deck mount glass filler with polished chrome plated brass body, adjustable flow outlet, push back actuation arm, add-on faucet, 6" swing nozzle with stream regulator outlet, compression cartridge with spring check, 4-arm handle, pedestal with adjustable deck flange and 1/2" NPT male inlet. Certified to ASME A112.18.1/CSA B125.1, NSF 61-Section 9 and NSF 372. Meets ADA ANSI/ICC A117.1 requirements.

Job Name _____
 Model Specified _____ Quantity _____
 Variations Specified _____
 Date _____



Features & Benefits:

- 8 11/16" high deck mount glass filler
- Add-on faucet
- Quart-turn Eterna compression cartridge with spring check
- 6" swing nozzle w/ stream regulator outlet, Series 1
- Torx wrench adjustable flow outlet (wrench included)
- Dark blue push back arm
- 4-arm handle w/ blue color coded index
- Instantaneous shut-off
- 1/2" NPT male inlet
- Pedestal w/ adjustable Ø 2" flange
- Material: Polished chrome plated brass body, faucet, tubular nozzle & pedestal and chrome plated metal flange & thermoplastic arm

Product Compliance:

- ASME A112.18.1 / CSA B125.1
- NSF 61 - Section 9
- NSF 372 (Low Lead Content)
- ANSI A117.1 (ADA)

Warranty: One Year (Limited)

Performance Data:

- Pressure: 20 - 125 psi [1.38 - 8.62 bar]
- Temperature: 40°F - 140°F [4.44°C - 60°C]
- Flow Rate:
 - Nozzle: TBD GPM [L/min] @ 60 psi [4.14 bar]
 - Glass Filler: 0.25 GPM min [0.95 L/min] @ 60 psi [4.14 bar]
 - 2.25 GPM max [8.52 L/min] @ 60 psi [4.14 bar]



ADA Compliant

Optional Outlets (Series 1 / VR Series 6)

GPM	Aerated	Non-Aerated (Laminar)	VR Aerated	VR Non-Aerated (VR Laminar)
0.35	N/A	<input type="checkbox"/> B-0199-01-N035	N/A	<input type="checkbox"/> B-0199-06-N035
0.5	N/A	<input type="checkbox"/> B-0199-01-N05	N/A	<input type="checkbox"/> B-0199-06-N05
1.0	<input type="checkbox"/> B-0199-01-F10	N/A	<input type="checkbox"/> B-0199-06-F10	N/A
1.5	<input type="checkbox"/> B-0199-01-WS	<input type="checkbox"/> B-0199-29	<input type="checkbox"/> B-0199-06-WS	<input type="checkbox"/> B-0199-29VR
2.2	<input type="checkbox"/> B-0199-01	<input type="checkbox"/> B-0199-21	<input type="checkbox"/> B-0199-06	<input type="checkbox"/> B-0199-21-VRF

Optional Handles

- 4" Wrist Action
- Lever
- 4-Arm (Standard)

Optional Cartridges With Checks

- Quarter-Turn Cerama w/ Check Valve
- Quarter-Turn Eterna w/ Spring Check (Standard)

