



T&S BRASS AND BRONZE WORKS, INC.

2 Saddleback Cove / P.O. Box 1088
Travelers Rest, SC 29690

Model No.

BF-0299-10

Item No.

Travelers Rest, SC: 800-476-4103 • Simi Valley, CA: 800-423-0150 • Fax: 864-834-3518 • www.tsbrass.com



ADA Compliant

This Space for Architect/Engineer Approval

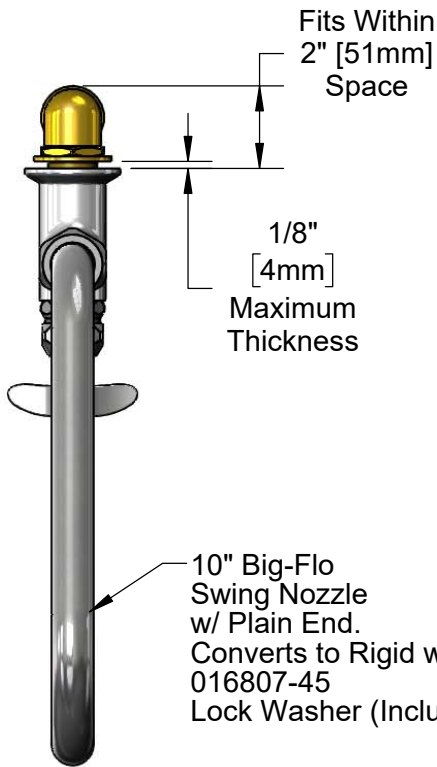
Job Name _____ Date _____

Model Specified _____ Quantity _____

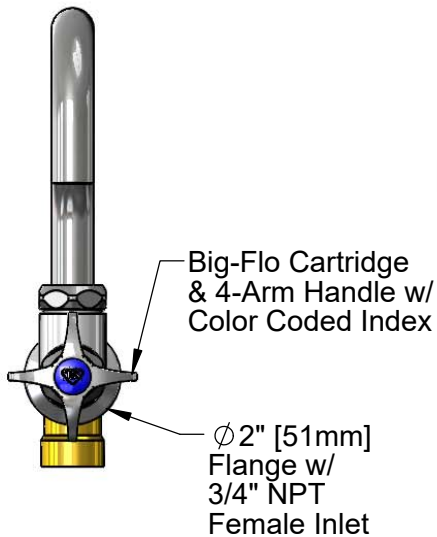
Customer/Wholesaler _____

Contractor _____

Architect/Engineer _____

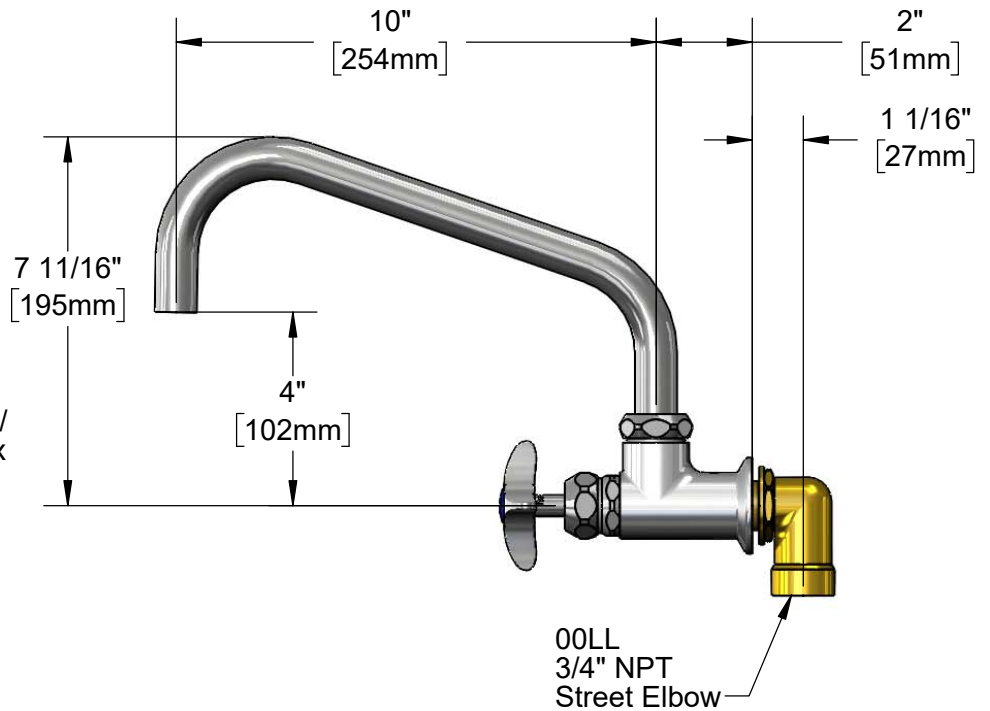


10" Big-Flo
Swing Nozzle
w/ Plain End.
Converts to Rigid w/
016807-45
Lock Washer (Included)



Big-Flo Cartridge
& 4-Arm Handle w/
Color Coded Index

Ø2" [51mm]
Flange w/
3/4" NPT
Female Inlet



00LL
3/4" NPT
Street Elbow

Rough-In Requirement:
Ø1 1/4" [32mm] Hole

Product Specifications:
Single Wall Mount Big-Flo Faucet w/ Big-Flo Cartridge, 10" Plain End
Swing Nozzle, 4-Arm Handle & 3/4" NPT Street Elbow

Product Compliance:
ASME A112.18.1 / CSA B125.1
NSF 61 - Section 9
NSF 372 (Low Lead Content)
ANSI A117.1 (ADA)



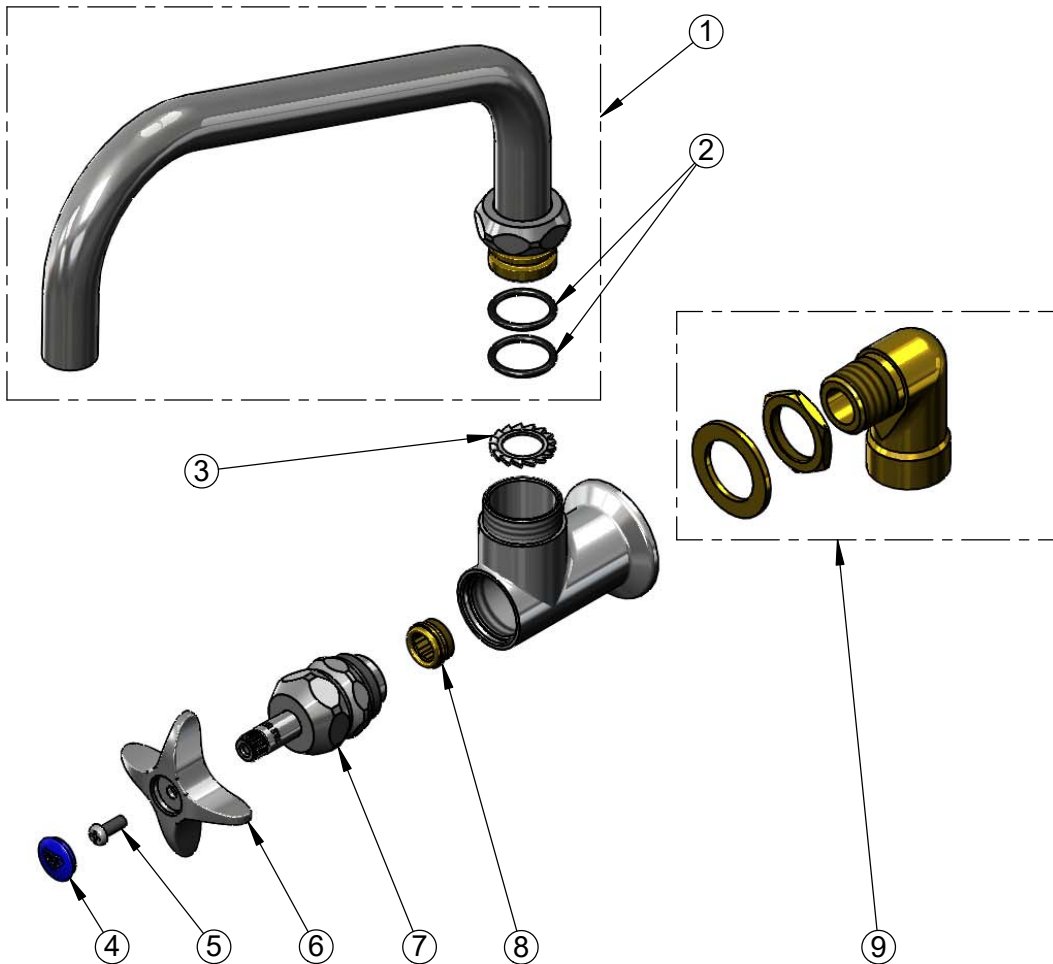
T&S BRASS AND BRONZE WORKS, INC.
 2 Saddleback Cove / P.O. Box 1088
 Travelers Rest, SC 29690

Model No.
BF-0299-10

Item No.

Travelers Rest, SC: 800-476-4103 • Simi Valley, CA: 800-423-0150 • Fax: 864-834-3518 • www.tsbrass.com

| ITEM NO. | SALES NO. | DESCRIPTION |
|----------|-------------|-----------------------------|
| 1 | 112X | 10" Big-Flo Swing Nozzle |
| 2 | 001068-45 | O-ring |
| 3 | 016807-45 | Serrated Lock Washer |
| 4 | 018506-19NS | Blue Button Index, Press-in |
| 5 | 000925-45 | Lab Handle Screw |
| 6 | 002521-45NS | 4-Arm Handle (New Style) |
| 7 | 006482-40NS | Big-Flo Cartridge, RTC |
| 8 | 000764-20 | Seat, Big-Flo |
| 9 | 00LL | 3/4" Street Elbow Inlet |



Product Specifications:
 Single Wall Mount Big-Flo Faucet w/ Big-Flo Cartridge, 10" Plain End
 Swing Nozzle, 4-Arm Handle & 3/4" NPT Street Elbow

Product Compliance:
 ASME A112.18.1 / CSA B125.1
 NSF 61 - Section 9
 NSF 372 (Low Lead Content)
 ANSI A117.1 (ADA)