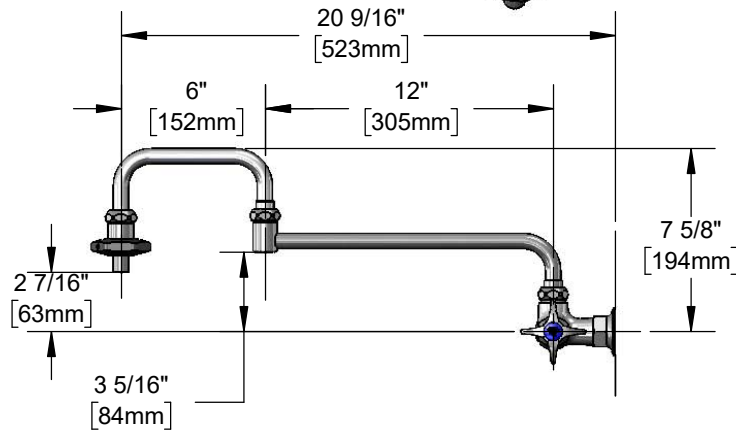
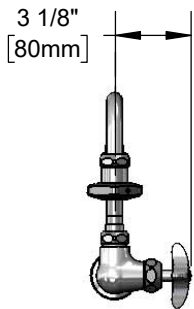




#### Architect/Engineering Specifications:

Wall mount pot filler with chrome plated brass body, single control, 18" double joint swing nozzle, on-off volume control outlet with insulated grip, ceramic cartridge with check valve, 4-arm handle and 1/2" NPT female inlet. Certified to ASME A112.18.1/CSA B125.1, NSF 61-Section 9 and NSF 372.

Job Name \_\_\_\_\_  
 Model Specified \_\_\_\_\_ Quantity \_\_\_\_\_  
 Variations Specified \_\_\_\_\_  
 Date \_\_\_\_\_



#### Features & Benefits:

- Wall mount, single control pot filler
- 18" double joint swing nozzle
- Lock washer provided for rigid application
- On-off volume control outlet with insulated grip
- Quarter-turn Cerama cartridge w/ check valve
- 4-arm handle w/ blue index
- 1/2" NPT female inlet with  $\varnothing$ 2" wall flange
- Material: Polished chrome plated brass body and tubular spouts, chrome plated metal handle

#### Product Compliance:

- ASME A112.18.1 / CSA B125.1
- NSF 61 - Section 9
- NSF 372 (Low Lead Content)



**Warranty:** One Year (Limited)



#### Performance Data:

- Pressure: 20 - 125 psi
- Temperature: 40 °F - 140 °F
- Flow Rate: 4.02 GPM @ 60 psi

#### Optional Handles

- 4" Wrist Action
- Lever
- 4-Arm (Standard)

#### Optional Cartridges With Checks

- Quarter-Turn Cerama w/ Check Valve (Standard)
- Quarter-Turn Eterna w/ Spring Check

