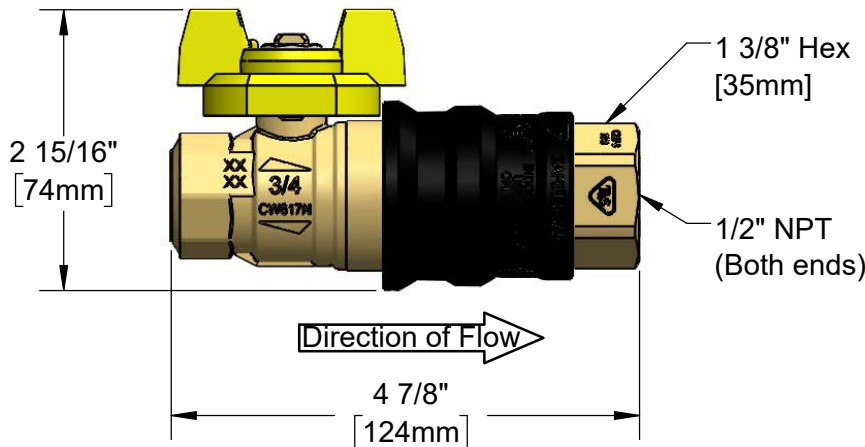
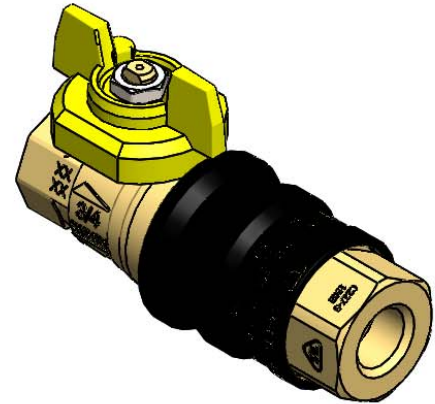




Architect/Engineering Specifications:

2-Piece quick disconnect valve combination device, 1/2" NPT. Certified to ANSI Z21.90 / CSA 6.24.

Job Name _____
 Model Specified _____ Quantity _____
 Variations Specified _____
 Date _____



Features & Benefits:

- 2-Piece quick disconnect valve combination device
- 1/2" NPT female connections
- Full port ball valve provides efficient full gas flow
- Valve and quick-disconnect safety interlock - valve must be closed before the plug and socket can be connected or disconnected - plug and socket must be connected before valve can be opened
- Fusible Link Thermal Shut-off provides overheat protection
- One-handed connection.
- Material: Brass socket & plug

Product Compliance:

- ANSI Z21.90 / CSA 6.24
- NFPA 54



Warranty: Five Year (Limited)

Performance Data:

- Pressure: 0.5 psi max
- Temperature: 300 °F max w/ Fusible Link Thermal Shut-off
- Capacity: Approximately 280,000 BTU/Hr when tested in accordance with ANSI Z21.90 standard.
- Quick Disconnect on Various Size and Length Connectors (Tested at 1000 BTU/HR, SG=0.64, Pressure Drop=0.5" Water Column)

Model	Size	Connector Length				
		24"	36"	48"	60"	72"
AG-9C	1/2"	85,000	75,000	70,000	65,000	55,000

