



Architect/Engineering Specifications:

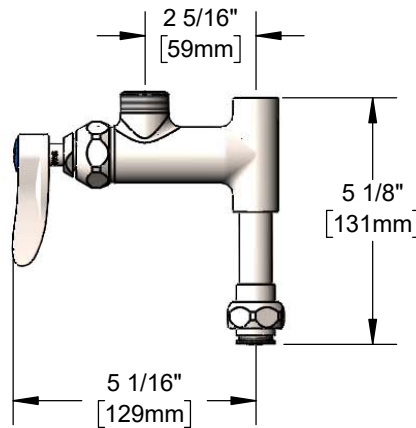
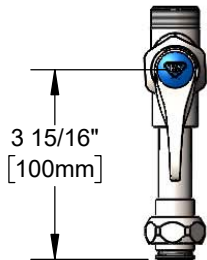
Stainless steel add-on faucet (less nozzle), 3/8" NPT female outlet, stainless steel compression cartridge with spring check, stainless steel lever handle and stainless steel quick installation inlet. Certified to ASME A112.18.1/CSA B125.1, NSF 61-Section 9 and NSF 372. Meets ADA ANSI/ICC A117.1 requirements.

Job Name _____

Model Specified _____ Quantity _____

Variations Specified _____

Date _____



Features & Benefits:

- Add-On faucet w/ stainless steel body (less nozzle)
- 3/8" NPT female outlet
- Swivel outlet accepts T&S stainless steel swing nozzles
- Stainless steel quarter-turn Eterna compression cartridge w/ spring check
- Stainless steel lever handle
- Stainless steel EasyInstall quick installation inlet
- Material: Stainless steel body, nipple, cartridge and handle

Product Compliance:

- ASME A112.18.1 / CSA B125.1
- NSF 61 - Section 9
- NSF 372 (Low Lead Content)
- ANSI A117.1 (ADA)



Warranty: One Year (Limited)

Performance Data:

- Pressure: 20 - 125 psi [1.38 - 8.62 bar]
- Temperature: 40 °F - 140 °F [4.44 °C - 60 °C]
- Flow Rate: 9.73 GPM [36.83 L/min] @ 60 psi [4.14 bar]
(Outlet Device &/or Final Configuration May Reduce Flow Rate)



Available T&S Stainless Steel Swing Nozzles and Goosenecks

Stainless Steel T&S Swing Nozzles

- S059X 6" Swing Nozzle
- S060X 8" Swing Nozzle
- S062X 12" Swing Nozzle

Stainless Steel T&S Swivel Goosenecks (D x K)

- S133X 5 11/16" x 6 1/4" Swivel Gooseneck

