



T&S BRASS AND BRONZE WORKS, INC.
 2 Saddleback Cove / P.O. Box 1088
 Travelers Rest, SC 29690

Model No.
B-0119

Item No.

Travelers Rest, SC: 800-476-4103 • Simi Valley, CA: 800-423-0150 • Fax: 864-834-3518 • www.tsbrass.com

This Space for Architect/Engineer Approval

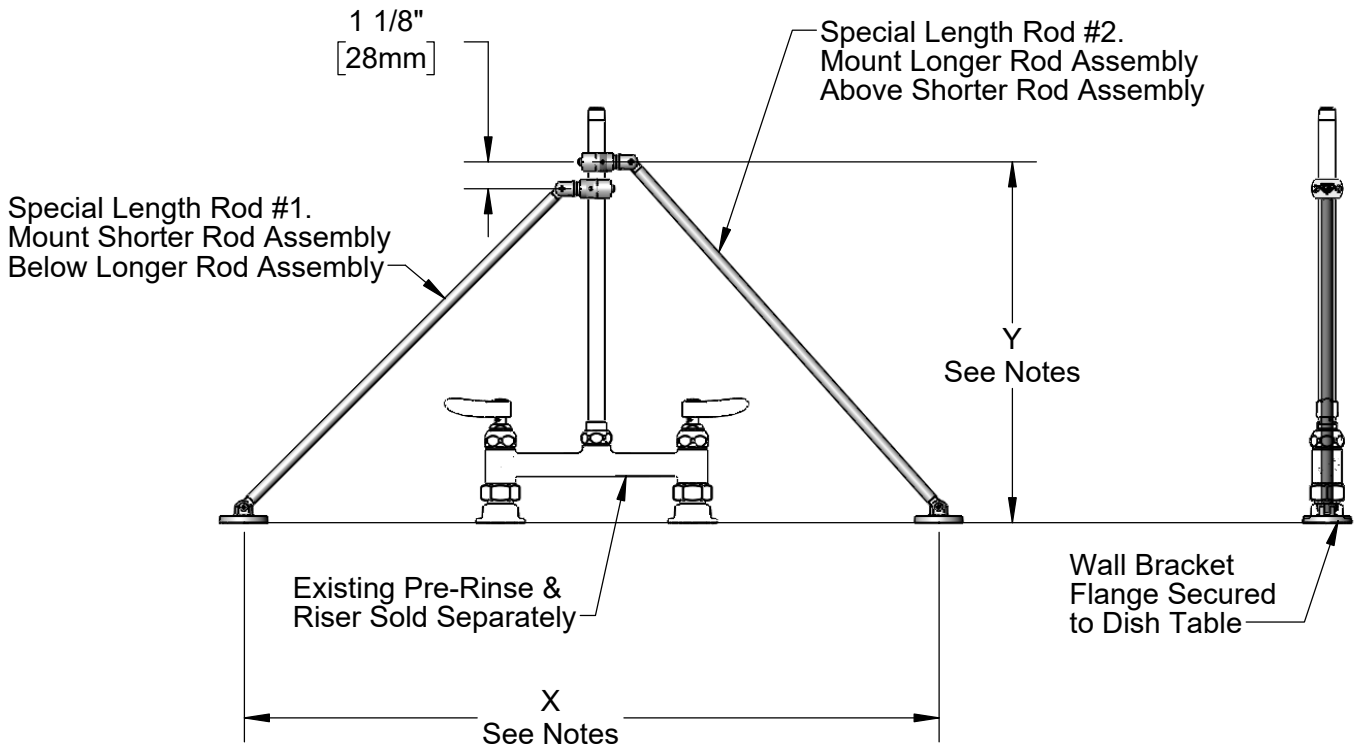
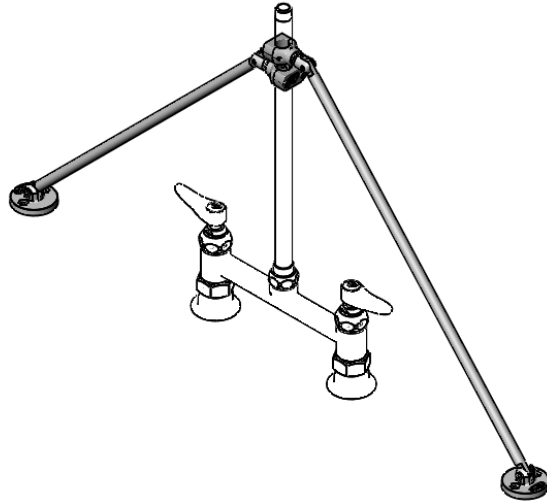
Job Name _____ Date _____

Model Specified _____ Quantity _____

Customer/Wholesaler _____

Contractor _____

Architect/Engineer _____



Notes:

Special Length Rod #1 = 19 1/4"

Special Length Rod #2 = 19 3/4"

"X" & "Y" Dimensions Will Vary According to Field Mounting Requirements

Product Specifications:
 Bi-Pod Riser Support Assembly

Product Compliance: