



# Gas Appliance Connectors

## AG-7E

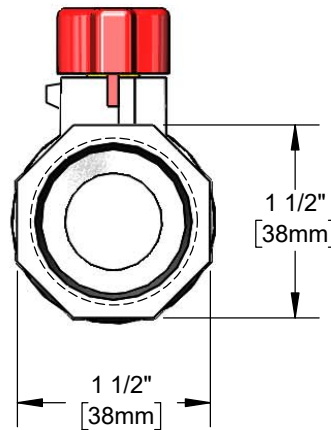
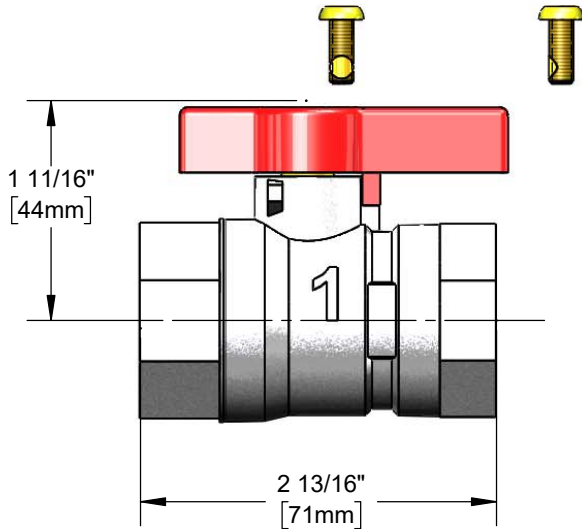
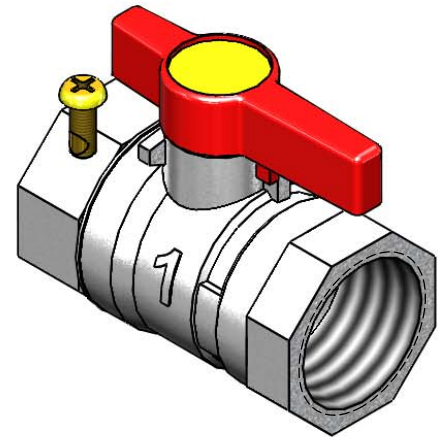
TAG:

1" Gas Ball Valve

### Architect/Engineering Specifications:

Gas ball valve, 1" NPT inlet and outlet, full port design. Certified to ANSI Z21.15a / CSA 9.1.

Job Name \_\_\_\_\_  
 Model Specified \_\_\_\_\_ Quantity \_\_\_\_\_  
 Variations Specified \_\_\_\_\_  
 Date \_\_\_\_\_



### Features & Benefits:

- Gas ball valve
- Blow-out proof valve stem
- 1" NPT female inlet
- 1" NPT female outlet
- Full port design provides efficient, full gas flow
- Material: Chrome plated brass

### Product Compliance:

- ANSI Z21.15a / CSA 9.1a (Gas Valves)
- NFPA 54



**Warranty:** Five Year (Limited)

### Performance Data:

- Pressure: 0.5 psi max
- Temperature: 32 °F to 125 °F



T&S BRASS AND BRONZE WORKS, INC.



• 2 Saddleback Cove • Travelers Rest, SC 29690  
 Ph 800-476-4103 • Fax 864-834-3518  
 • Simi Valley, CA • Ph 800-423-0150 • www.tsbrass.com

Date: 04/30/19