



**Architect/Engineering Specifications:**

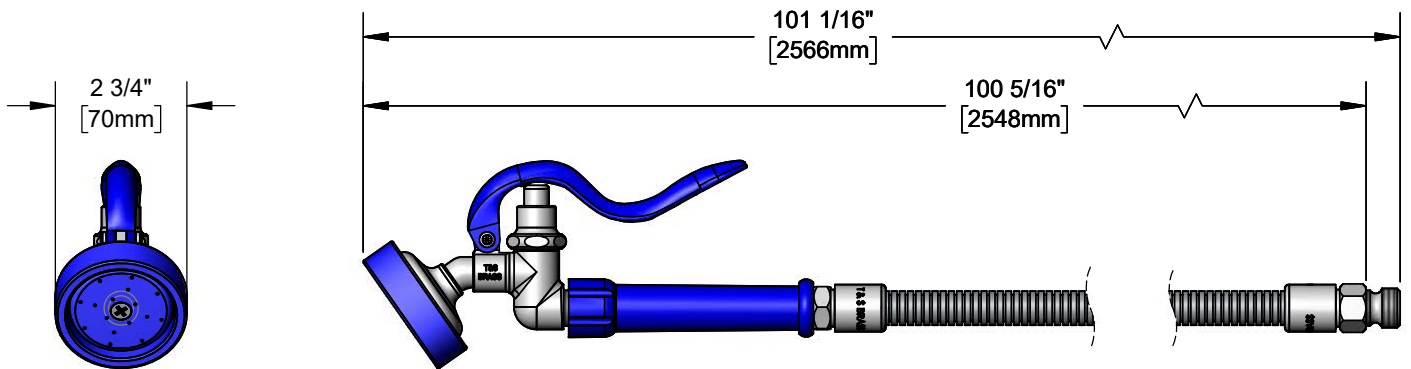
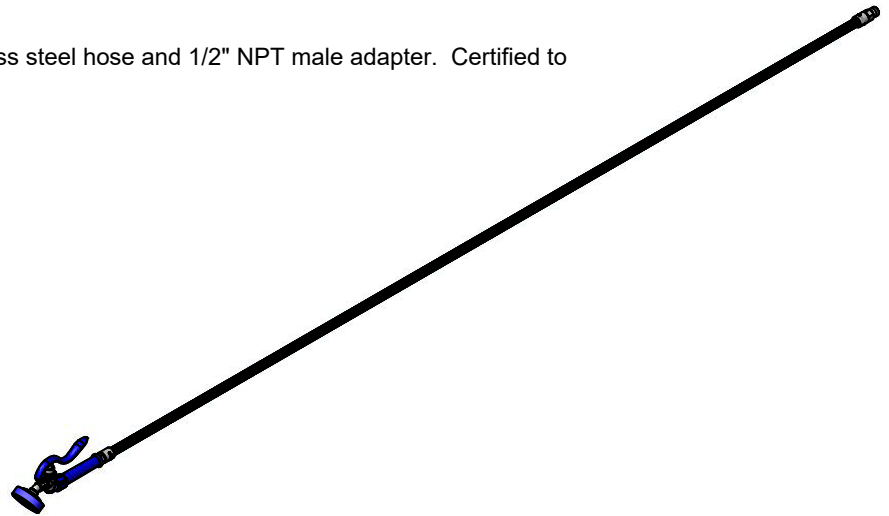
High flow angled spray valve (blue) with 96" flexible stainless steel hose and 1/2" NPT male adapter. Certified to ASME A112.18.1/CSA B125.1.

Job Name \_\_\_\_\_

Model Specified \_\_\_\_\_ Quantity \_\_\_\_\_

Variations Specified \_\_\_\_\_

Date \_\_\_\_\_



**Features & Benefits:**

- High flow angled spray valve (blue)
- Heat resistant handle and hold down ring
- 96" flexible stainless steel hose
- 1/2" NPT male adapter

**Product Compliance:**

- ASME A112.18.1 / CSA B125.1
- NSF 61 Exempt (Non-Potable)



**Warranty:** One Year (Limited)

**Performance Data:**

- Pressure: 20 - 125 psi
- Temperature: 40 °F - 140 °F
- Flow Rate: 4.10 GPM @ 60 psi

