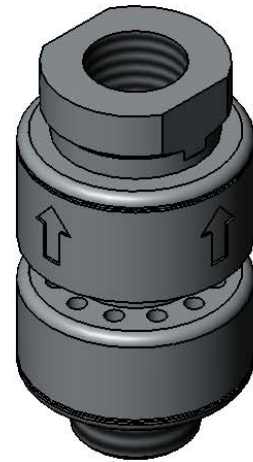
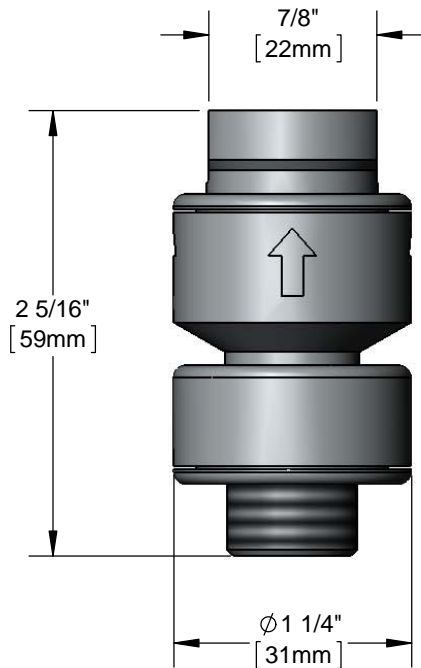




**Architect/Engineering Specifications:**

Back-flow preventer with polished chrome plated brass body, 3/8" NPT female outlet and 3/8" NPT male inlet. Certified to ASME A112.18.1/CSA B125.1, ASSE 1035 and CSA B64.8.

Job Name \_\_\_\_\_  
 Model Specified \_\_\_\_\_ Quantity \_\_\_\_\_  
 Variations Specified \_\_\_\_\_  
 Date \_\_\_\_\_



**Features & Benefits:**

- Back-flow preventer with polished chrome plated brass body
- 3/8" NPT male inlet and 3/8" NPT female outlet
- Design prevents back siphonage
- Material: Polished chrome plated brass body

**Product Compliance:**

- ASME A112.18.1 / CSA B125.1
- NSF 61 Exempt (Non-Potable)
- CSA B64.7 (VB)
- ASSE 1035 (VB)



**Warranty:** One Year (Limited)

**Performance Data:**

- Pressure: 20 - 125 psi
- Temperature: 40 °F - 140 °F
- Flow Rate: 9.08 GPM @ 60 psi

