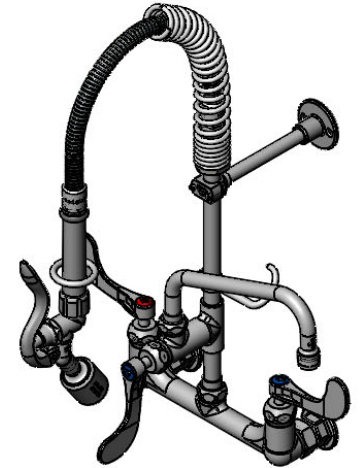
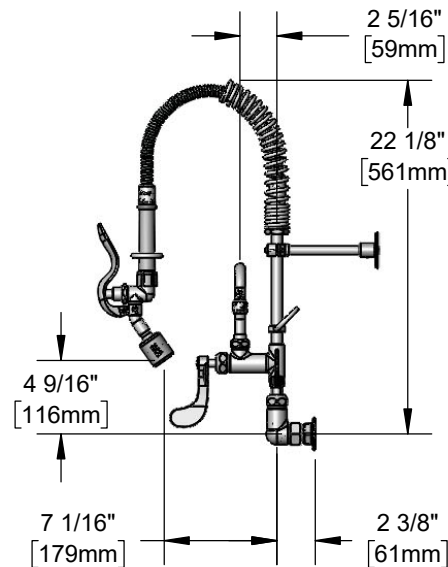
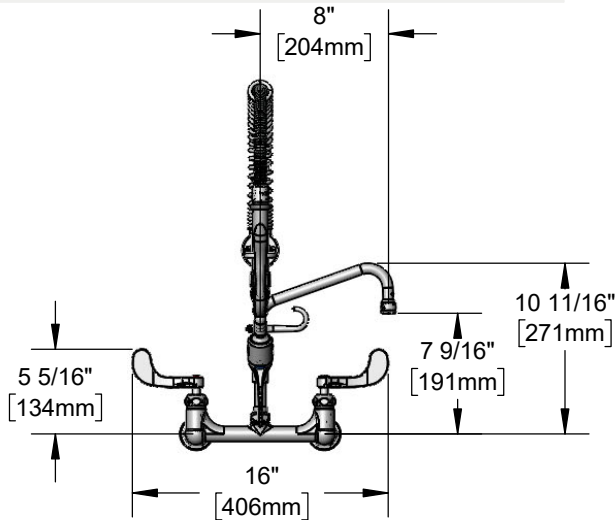




Architect/Engineering Specifications:

8" wall mount mixing faucet with polished chrome plated brass body, add-on faucet with ceramic cartridge and wrist action handle, 8" swing nozzle with stream regulator outlet, 8" riser, 24" flexible stainless steel hose with heat resistant handle, 0.65 GPM low flow angled spray valve, ceramic cartridges with check valves, wrist action handles, 1/2" NPT female inlet, 6" adjustable wall bracket, spray valve holder and overhead spring. Certified to ASME A112.18.1/CSA B125.1, NSF 61-Section 9 and NSF 372. 2019 DOE PRSV - Class I compliant.

Job Name _____
Model Specified _____ Quantity _____
Variations Specified _____
Date _____



Features & Benefits:

- 8" wall mount mixing faucet w/ polished chrome plated brass body
EasyInstall add-on faucet w/ polished chrome plated brass body
8" swing nozzle w/ stream regulator outlet, Series 1
8" rigid riser
24" flexible stainless steel hose w/ heat resistant gray handle and hold down ring
0.65 GPM low flow angled spray valve
Quarter-turn Cerama cartridges with check valves to prevent cross flow of water
4" wrist action handles w/ color coded indexes
1/2" NPT female eccentric inlets with 2" flanges
6" adjustable wall bracket
Material: Polished chrome plated brass body & tubular nozzle, add-on faucet body, riser & spray valve, stainless steel hose and chrome plated metal handles

Product Compliance:

- ASME A112.18.1 / CSA B125.1
NSF 61 - Section 9
NSF 372 (Low Lead Content)
2019 DOE PRSV - Class I
For Commercial Use Only



Warranty: Three Year (Limited)

- Cerama Cartridge: Lifetime (Limited)

Performance Data:

- Pressure: 20 - 125 psi
Temperature: 40 °F - 140 °F
Flow Rate:
Spray Valve: 0.65 GPM @ 60 psi
Add-On Faucet: 5.35 GPM @ 60 psi

Optional Add-On Faucet Outlets (Series 1 / VR Series 6)

Table with 3 columns: GPM, Aerated, VR Aerated (VR Laminar). Rows include 1.0, 1.5, and 2.2 GPM options.

Optional Cartridges With Checks

- Quarter-Turn Cerama w/ Check Valve (Standard)
Quarter-Turn Eterna w/ Spring Check

Optional Handles

- 4" Wrist Action (Standard)
Lever
4-Arm

Optional Pre-Rinse Spray Valves

- B-0107 (1.15 GPM)
B-0107-C (0.65 GPM)
B-0107-J (1.07 GPM)
B-0108 (1.07 GPM)
B-0108-C (0.65 GPM)

