



**Spray Valve**  
**S-0107-Y**

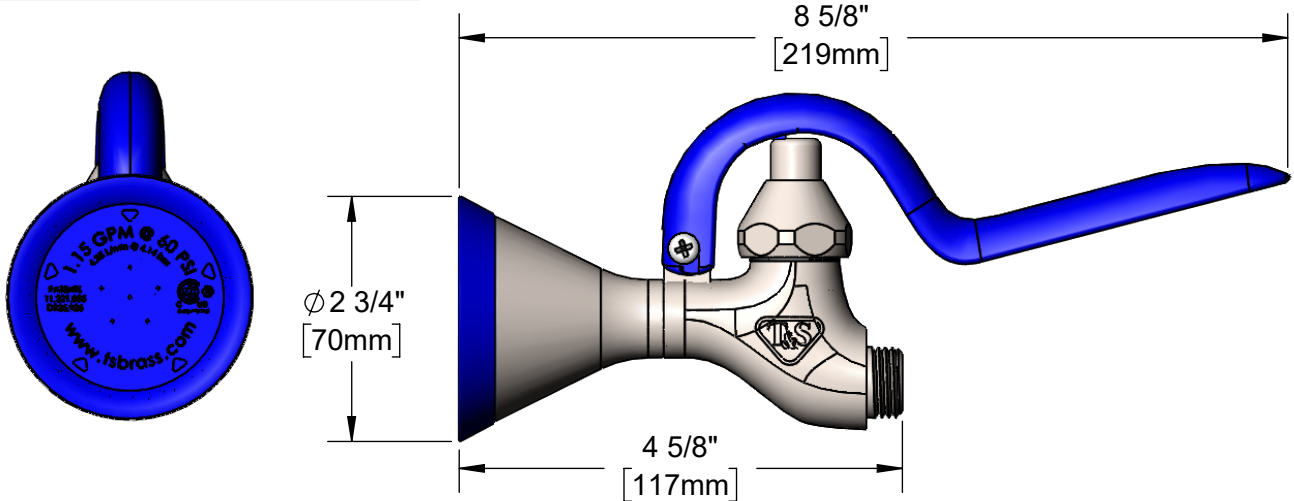
TAG:

**EVERSTEEL** *New Style SS Spray Valve*

**Architect/Engineering Specifications:**

1.15 GPM spray valve, stainless steel body, integrated spray face and bumper and 3/4-14 UN male inlet. Certified to ASME A112.18.1/CSA B125.1, NSF 61-Section 9 and NSF 372. 2019 DOE PRSV - Class II Compliant.

Job Name \_\_\_\_\_  
 Model Specified \_\_\_\_\_ Quantity \_\_\_\_\_  
 Variations Specified \_\_\_\_\_  
 Date \_\_\_\_\_



**Features & Benefits:**

- Designed for heavy-duty use in industrial kitchens
- 1.15 GPM stainless steel spray valve
- Shuts off when handle is released
- Integrated spray face with bumper
- SS hold down ring
- 3/4-14 UN male inlet fitting
- Material: Stainless steel body, bonnet & cup and urethane bumper

**Product Compliance:**

- ASME A112.18.1 / CSA B125.1
- NSF 61 - Section 9
- NSF 372 (Low Lead Content)
- 2019 DOE PRSV - Class II



**Warranty:** One Year (Limited)

**Performance Data:**

- Pressure: 20 - 125 psi [1.38 - 8.62 bar]
- Temperature: 40 °F - 140 °F [4.44 °C - 60 °C]
- Flow Rate: 1.15 GPM [4.35 L/min] @ 60 psi [4.14 bar]
- Spray Force: 7.5 Ozf [212 Gramf] @ 60 psi [4.14 bar]



**T&S BRASS AND BRONZE WORKS, INC.**



• 2 Saddleback Cove • Travelers Rest, SC 29690  
 Ph 800-476-4103 • Fax 864-834-3518  
 • Simi Valley, CA • Ph 800-423-0150 • www.tsbrass.com

Date: 03/29/23