



T&S BRASS AND BRONZE WORKS, INC.
 2 Saddleback Cove / P.O. Box 1088
 Travelers Rest, SC 29690

Model No.
B-7232-05-ESB

Item No.

Travelers Rest, SC: 800-476-4103 • Simi Valley, CA: 800-423-0150 • Fax: 864-834-3518 • www.tsbrass.com

This Space for Architect/Engineer Approval

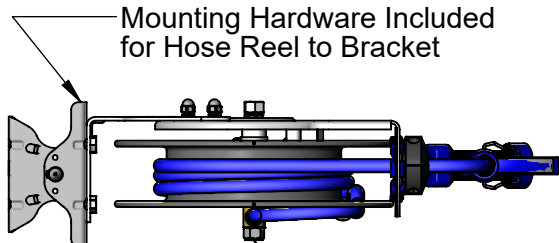
Job Name _____ Date _____

Model Specified _____ Quantity _____

Customer/Wholesaler _____

Contractor _____

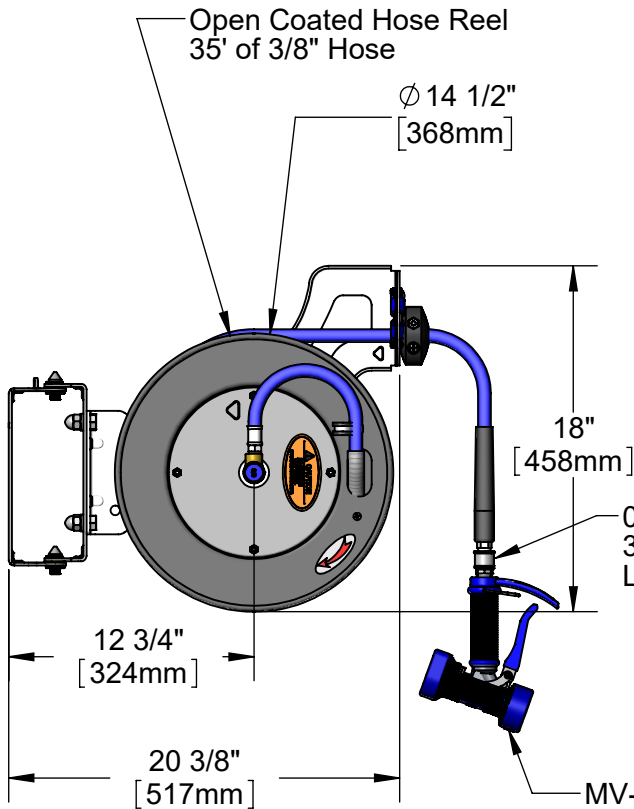
Architect/Engineer _____



Mounting Hardware Included for Hose Reel to Bracket

3/8" NPT Female Inlet (Left Side of Reel)

Universal EasyInstall Stainless Steel Wall Mount Swing Bracket w/ 100° of Rotation



Open Coated Hose Reel 35' of 3/8" Hose

Ø 14 1/2" [368mm]

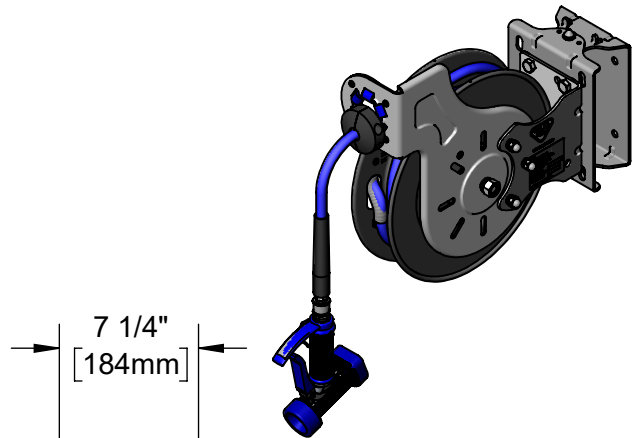
18" [458mm]

12 3/4" [324mm]

20 3/8" [517mm]

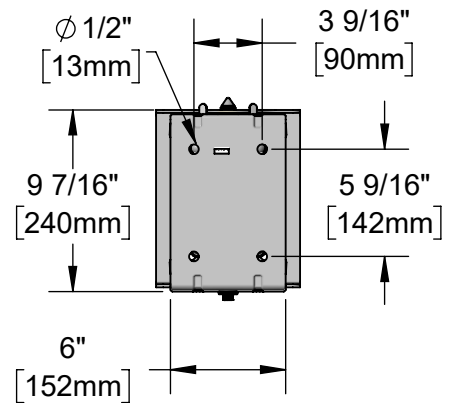
019652-40 3/8" NPT Live Swivel

MV-2522-24 Stainless Steel Front Trigger Water Gun w/ 5/16" Orifice



7 1/4" [184mm]

Mounting Hole Details



Product Specifications:

3/8" x 35' Open Coated Reel & Stainless Steel Front Trigger Water Gun w/ Swivel, 5/16" Orifice & 100 Degree EasyInstall Stainless Steel Swing Bracket w/ Reel-to-Bracket Mounting Hardware

Product Compliance:

NSF 61 Exempt (Non-Potable)
 EPA Act 2005 Non-Compliant (PRSV)



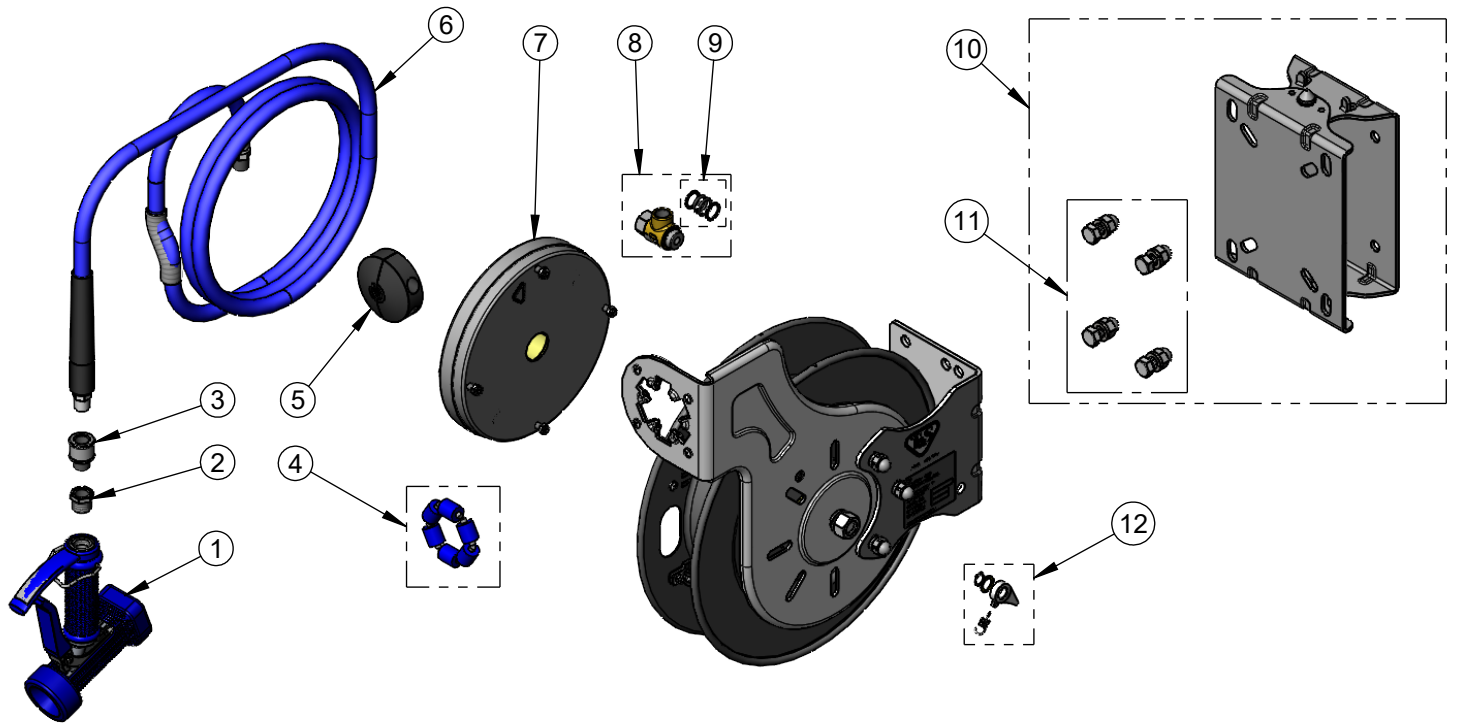
T&S BRASS AND BRONZE WORKS, INC.
 2 Saddleback Cove / P.O. Box 1088
 Travelers Rest, SC 29690

Model No.
B-7232-05-ESB

Item No.

Travelers Rest, SC: 800-476-4103 • Simi Valley, CA: 800-423-0150 • Fax: 864-834-3518 • www.tsbrass.com

ITEM NO.	SALES NO.	DESCRIPTION
1	MV-2522-24	Front Trigger Gun, 5/16" Orifice
2	001359-40	Hex Bushing, 1/2" NPT Male x 3/8" NPT Female
3	019652-40	3/8" NPT Live Swivel
4	014938-45	Roller Replacement Kit
5	014949-45	3/8" Hose Rubber Stop
6	014941-45	3/8" x 35' Hose Replacement Kit
7	014932-45	Small & Medium Coated Spring
8	014946-45	3/8" Swivel Repair Kit
9	014948-45	O-Ring Replacement Kit
10	G019430-45	Universal EasyInstall Stainless Steel Swing Bracket
11	019191-45	Hose Reel Bracket Mounting Kit
12	014940-45	Ratchet Repair Kit



Product Specifications:
 3/8" x 35' Open Coated Reel & Stainless Steel Front Trigger Water Gun w/ Swivel, 5/16" Orifice & 100 Degree EasyInstall Stainless Steel Swing Bracket w/ Reel-to-Bracket Mounting Hardware

Product Compliance:
 NSF 61 Exempt (Non-Potable)
 EPA Act 2005 Non-Compliant (PRSV)