



Architect/Engineering Specifications:

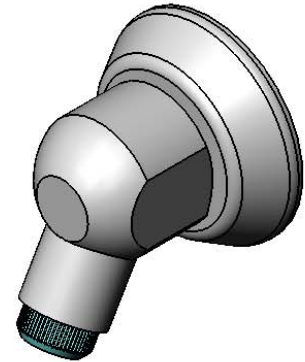
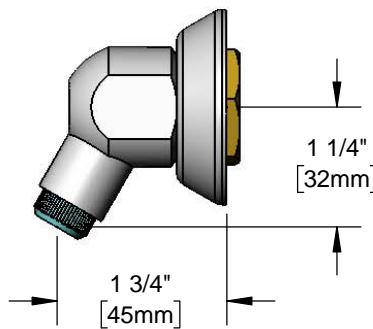
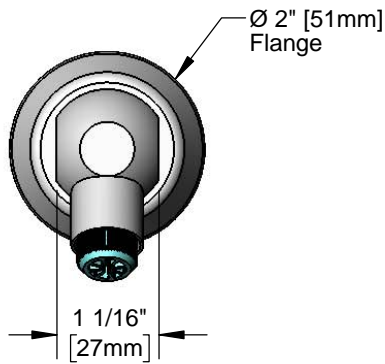
Polished chrome plated brass wall mount sink outlet with 2" diameter flange, 3/8" NPT female inlet and anti-splash tip outlet. Certified to ASME A112.18.1/CSA B125.1, NSF 61-Section 9, and NSF 372.

Job Name _____

Model Specified _____ Quantity _____

Variations Specified _____

Date _____



Features & Benefits:

- Polished chrome plated brass wall mount sink outlet
- Ø2" wall flange
- 3/8" NPT female inlet
- Anti-splash tip outlet
- Material: Polished chrome plated brass body

Product Compliance:

- ASME A112.18.1 / CSA B125.1
- NSF 61 - Section 9
- NSF 372 (Low Lead Content)



Warranty: One Year (Limited)



Performance Data:

- Pressure: 20 - 125 psi
- Temperature: 40 °F - 140 °F
- Flow Rate: 21.50 GPM @ 60 psi

